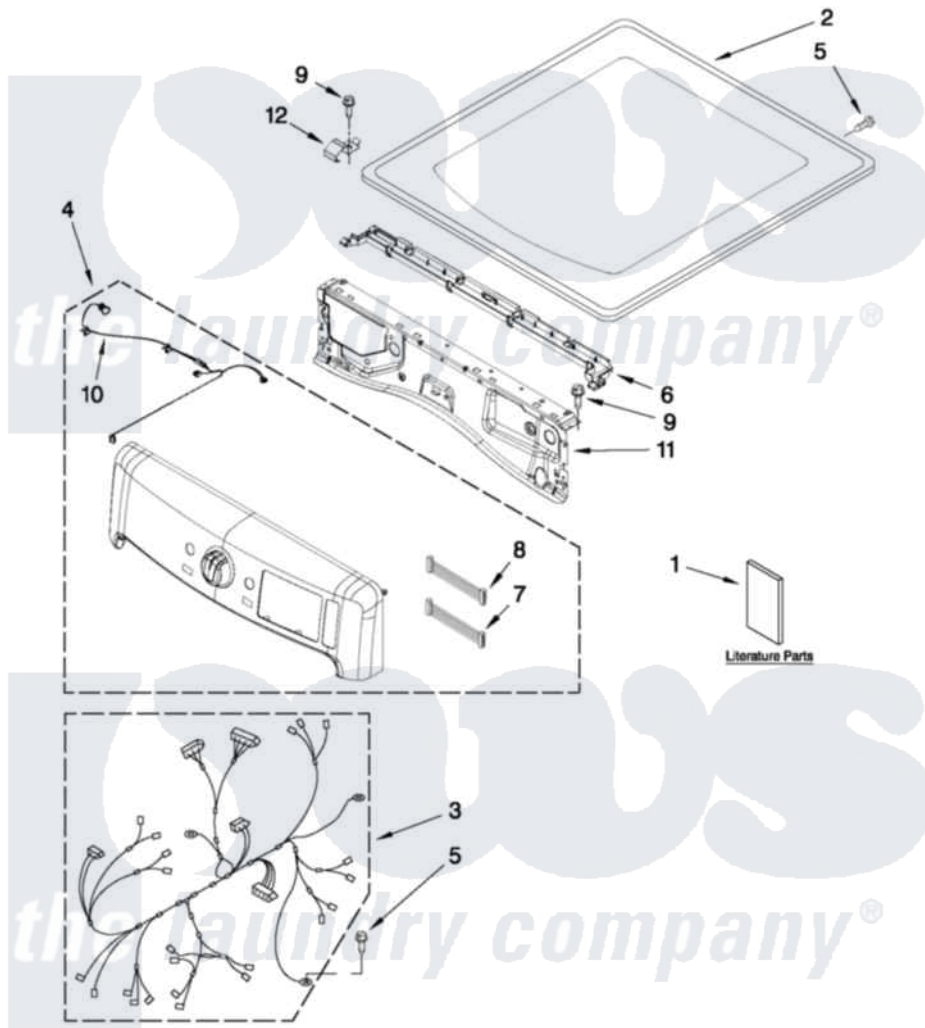


# Maytag YMED6000XW2 01 - TOP AND CONSOLE PARTS

**MAYTAG**

**TOP AND CONSOLE PARTS**  
 For Models: YMED6000XW2, YMED6000XR2, YMED6000XG2  
 (White) (Red) (Cosmetallic)

29" ELECTRIC DRYER



FOR ORDERING INFORMATION REFER TO PARTS PRICE LIST

7-11 Printed in U.S.A. (JLP)(bay)

1

Part No. W10435260 Rev. A

[Maytag Residential Maytag YMED6000XW2 Dryer Parts](#) Parts Diagram 01 - TOP AND CONSOLE PARTS

[Click on the part number to view part](#)

| Item | Original Part Number      | Replaced By               | Status        | Part Description          |
|------|---------------------------|---------------------------|---------------|---------------------------|
| 1    | W10312954                 |                           | Not Available | USE & CARE GUIDE          |
| "    | W10316958                 |                           | Not Available | TECH SHEET                |
| "    | W10423115                 |                           | Not Available | INSTALLATION, INSTRUCTION |
| 2    | <a href="#">W10208383</a> |                           |               | Top                       |
| "    | <a href="#">W10337792</a> |                           |               | Top                       |
| "    | <a href="#">W10301057</a> |                           |               | Top                       |
| 3    | W10355895                 |                           | Not Available | HARNES, MAIN              |
| 4    | W10350674                 | <a href="#">W10464555</a> |               | Panel, Console            |
| "    | W10350675                 | <a href="#">W10464556</a> |               | Panel, Console            |
| "    | W10350676                 | <a href="#">W10388470</a> |               | Console                   |
| 5    | <a href="#">693995</a>    |                           |               | Screw, Hex Head           |
| 6    | <a href="#">W10317570</a> |                           |               | Water Channel             |
| 7    | <a href="#">W10309986</a> |                           |               | Cable, Jumper             |
| 8    | <a href="#">W10309987</a> |                           |               | Cable, Jumper             |
| 9    | 3390647                   | <a href="#">488729</a>    |               | Screw                     |
| 10   | <a href="#">W10267833</a> |                           |               | Cable, Led User-Interface |

