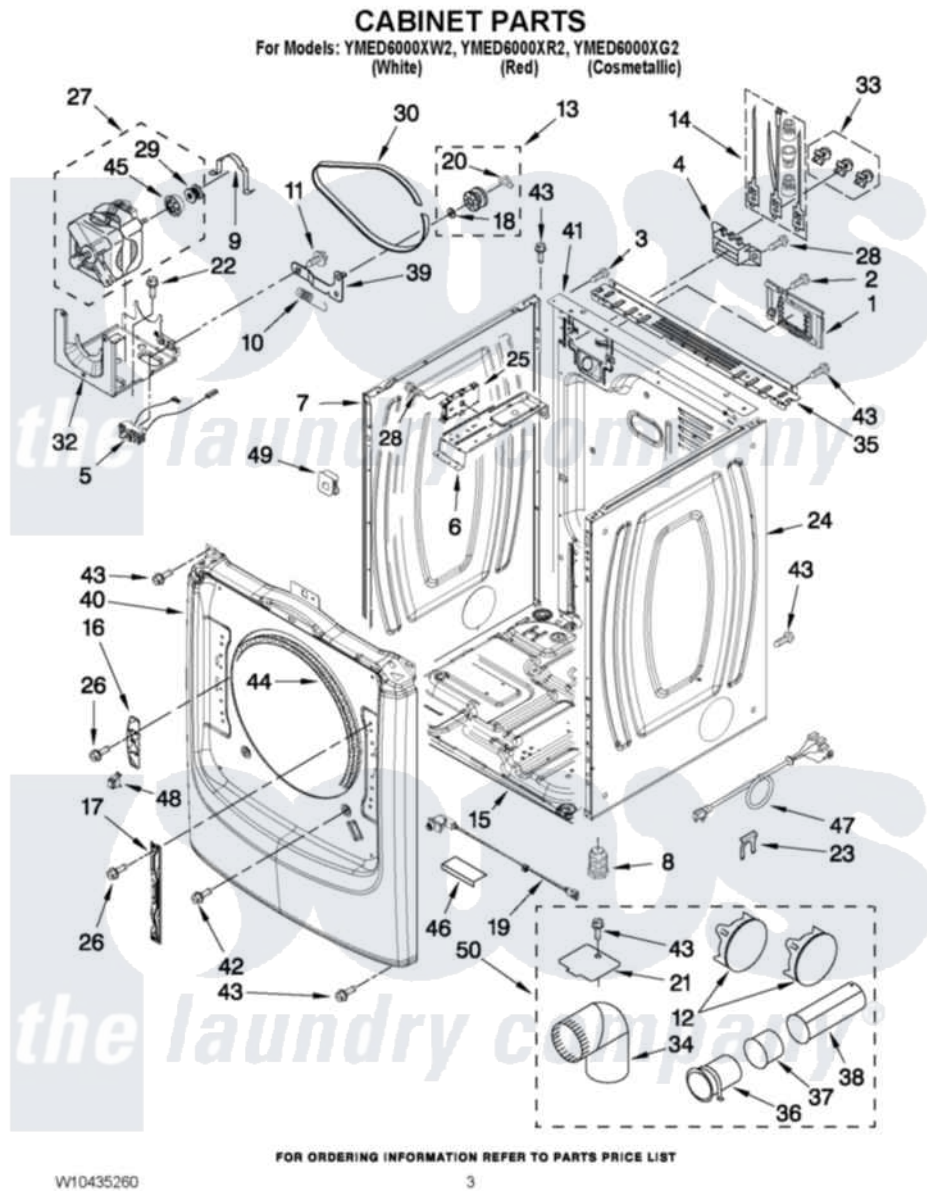


# Maytag YMED6000XW2 02 - CABINET PARTS



W10435260

3

Maytag [Residential Maytag YMED6000XW2 Dryer Parts](#) Parts Diagram 02 - CABINET PARTS  
Click on the part number to view part

Item	Original Part Number	Replaced By	Status	Part Description
1	<a href="#">W10316167</a>			Cover,
2	3390814	<a href="#">90767</a>		Screw, 8A X 3/8 HeX Washer Head Tapping
3	8533974	<a href="#">4331106</a>		Screw, No.10-32 X 7/16
4	<a href="#">3397659</a>			Block, Terminal
5	W10246525	<a href="#">W10314253</a>		Switch, Assembly Broken Belt
6	<a href="#">W10259611</a>			Bracket, Control
7	<a href="#">W10192435</a>			Panel, Side
"	W10337789	<a href="#">W10468502</a>		Panel, Side
"	<a href="#">W10301058</a>			Panel, Side
8	3392100	<a href="#">49621</a>		Feet-Leveling
NI	<a href="#">279810</a>			Foot-Optional
9	<a href="#">W10121316</a>			Plug, Multivent
10	<a href="#">3387374</a>			Spring, Idler
11	<a href="#">3389420</a>			Retainer-Idler 1/4-20 X 1/16
12	<a href="#">49252</a>			Plug, Multivent
"	W10151499	<a href="#">W10404617</a>		Plug, Multivent

13	3388672	<a href="#">279640</a>	Pulley-Ildr
14	<a href="#">279318</a>		Terminal Tinned And Brass Panel
15	<a href="#">8565046</a>		(BROKEN BELT BASE, CABINET SWITCH)
16	<a href="#">W10208250</a>		Strike, Door
17	<a href="#">W10315109</a>		Bracket, Door Hinge
18	<a href="#">W10121334</a>		Washer, Thrust
19	<a href="#">W10295361</a>		Assembly, Door Switch
20	<a href="#">690997</a>		Washer, Thrust
21	8066115	<a href="#">3394331</a>	Plate Cover
22	343641	<a href="#">681414</a>	Screw, 10AB X 1/2
23	<a href="#">694415</a>		Clip, Strain Relief
24	<a href="#">W10192446</a>		Panel, Side
"	W10337790	<a href="#">W10468502</a>	Panel, Side
"	<a href="#">W10301059</a>		Panel, Side
25	<a href="#">W10352731</a>		Control Board
26	<a href="#">W10288126</a>		Screw, 10-32 X 1/2
27	<a href="#">W10356941</a>		Motor, Assembly 60 Hz
28	<a href="#">90767</a>		Screw, 8A X 3/8 HeX Washer Head Tapping
29	<a href="#">3389729</a>		Pulley, Motor
30	<a href="#">W10112954</a>		Belt, Drive
32	<a href="#">W10242878</a>		Bracket, Motor Mounting
33	<a href="#">279393</a>		Terminal Block Screw Kit
34	<a href="#">49026</a>		4" - 90° Elbow
35	<a href="#">W10208382</a>		Bracket, Rear Dryer
36	<a href="#">8563747</a>		Exhaust Pipe Medium Pipe
37	<a href="#">8563750</a>		Exhaust Pipe
38	<a href="#">8563749</a>		Exhaust Pipe
39	3388674	<a href="#">W10118756</a>	Idler Bracket
40	<a href="#">W10294349</a>		Panel, Front
"	<a href="#">W10337786</a>		Panel, Front
"	<a href="#">W10301067</a>		Panel, Front
41	<a href="#">W10247569</a>		Panel, Rear
42	3357011	<a href="#">308685</a>	Side Trim )
43	3390647	<a href="#">488729</a>	Screw
44	<a href="#">3387242</a>		Seal, Front Panel
45	<a href="#">3393657</a>		Restrainer, Belt
46	<a href="#">W10215725</a>		Cover, Door Switch
47	<a href="#">3394208</a>		Cord, Power
48	<a href="#">W10208401</a>		Spring Catch Assembly
49	<a href="#">W10276611</a>		NUt, U-Type
NI	<a href="#">W10331132</a>		Dryer Exhaust Kit

*the laundry company*<sup>®</sup>