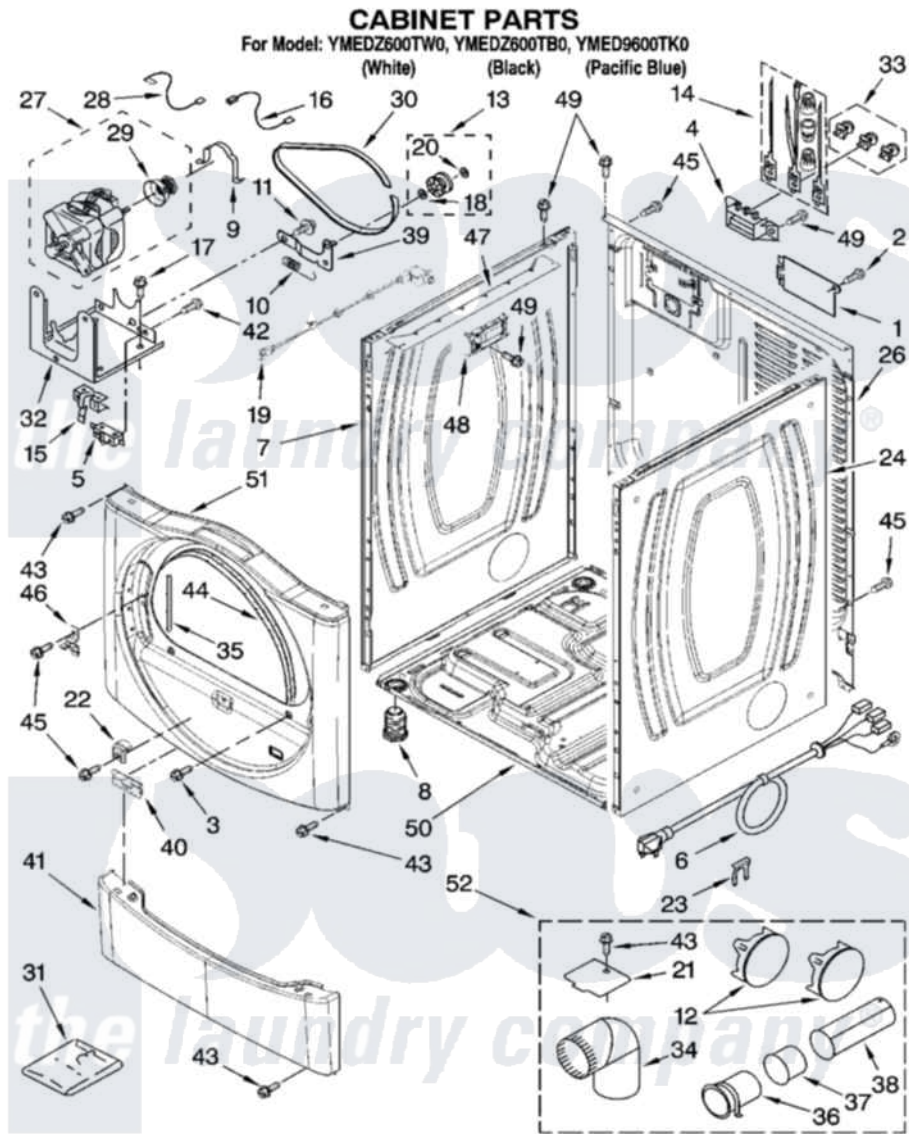


# Maytag YMED9600TK0 02 - CABINET PARTS



W10159103

3

Maytag [Residential Maytag YMED9600TK0 Dryer Parts](#) Parts Diagram 02 - CABINET PARTS  
 Click on the part number to view part

Item	Original Part Number	Replaced By	Status	Part Description
1	8576583	<a href="#">W10119283</a>		Cover, Terminal Block
2	8533974	<a href="#">4331106</a>		Screw, No.10-32 X 7/16
3	3357011	<a href="#">308685</a>		Side Trim )
4	<a href="#">3397659</a>			Block, Terminal
5	3394881	<a href="#">279782</a>		Switch-Lid
6	<a href="#">8579325</a>			Power Cord
7	<a href="#">8565054</a>			Panel, Side
"	<a href="#">W10112962</a>			Panel, Side
"	<a href="#">W10119026</a>			Panel, Side
8	3392100	<a href="#">49621</a>		Feet-Leveling
"	<a href="#">279810</a>			Foot-Optional
9	<a href="#">660658</a>			Clamp, Motor Mounting 343481 685441
10	<a href="#">3387374</a>			Spring, Idler
11	<a href="#">3389420</a>			Retainer-Idler 1/4-20 X 1/16
12	697750	<a href="#">W10470674</a>		Dryer Exhaust Kit
"	3388309	<a href="#">W10470674</a>		Dryer Exhaust Kit

"	<a href="#">8561800</a>		Plug, Multivent
13	3388672	<a href="#">279640</a>	Pulley-ldr
14	<a href="#">279318</a>		Terminal Tinned And Brass Panel
15	<a href="#">8066120</a>		Lever, Door Switch
16	<a href="#">3394081</a>		Wire, Broken Belt Switch
17	343641	<a href="#">681414</a>	Screw, 10AB X 1/2
18	<a href="#">233520</a>		Washer, Thrust
19	8574875	<a href="#">W10318609</a>	Switch, Assembly Door
20	<a href="#">W10121334</a>		Washer, Thrust
21	8066115	<a href="#">3394331</a>	Plate Cover
22	<a href="#">8565083</a>		Ramp, Door
23	<a href="#">694415</a>		Clip, Strain Relief
24	<a href="#">8565048</a>		Panel, Side
"	<a href="#">W10112963</a>		Panel, Side
"	<a href="#">W10119027</a>		Panel, Side
26	<a href="#">8565059</a>		Panel, Rear
27	8538263	<a href="#">279787</a>	Motor-Drve
28	<a href="#">3398948</a>		Wire, Jumper
29	<a href="#">8578220</a>		Pulley, Motor
30	<a href="#">W10112954</a>		Belt, Drive
31	<a href="#">8572546</a>		Odor Remover
32	<a href="#">3387118</a>		Bracket, Motor
33	<a href="#">279393</a>		Terminal Block Screw Kit
34	<a href="#">49026</a>		4" - 90° Elbow
35	<a href="#">8565043</a>		Plug, Strip Front Panel
36	<a href="#">8563747</a>		Exhaust Pipe Medium Pipe
37	<a href="#">8563750</a>		Exhaust Pipe
38	<a href="#">8563749</a>		Exhaust Pipe
39	3388674	<a href="#">W10118756</a>	Idler Bracket
40	<a href="#">8519459</a>		Clip, Toe Panel
41	<a href="#">8540621</a>		Panel, Toe
"	<a href="#">W10112964</a>		Panel, Toe
"	<a href="#">W10119028</a>		Toe Panel
42	<a href="#">98129</a>		Screw, 6-20 X 1 1/16
43	3390647	<a href="#">488729</a>	Screw
44	<a href="#">3387242</a>		Seal, Front Panel
45	3393008	<a href="#">308685</a>	Side Trim )
46	<a href="#">8565122</a>		Strike, Door
47	<a href="#">8563727</a>		Bracket, Control
48	<a href="#">W10111606</a>		Board, Control
49	<a href="#">90767</a>		Screw, 8A X 3/8 HeX Washer Head Tapping
50	<a href="#">8565046</a>		(BROKEN BELT BASE, CABINET SWITCH)
51	<a href="#">W10117421</a>		Front Panel
"	<a href="#">W10117396</a>		Front Panel
"	<a href="#">W10119029</a>		Front Panel
52	279818	<a href="#">W10470674</a>	Dryer Exhaust Kit
"	279820	<a href="#">W10470674</a>	Dryer Exhaust Kit
"	280102	<a href="#">W10470674</a>	Dryer Exhaust Kit