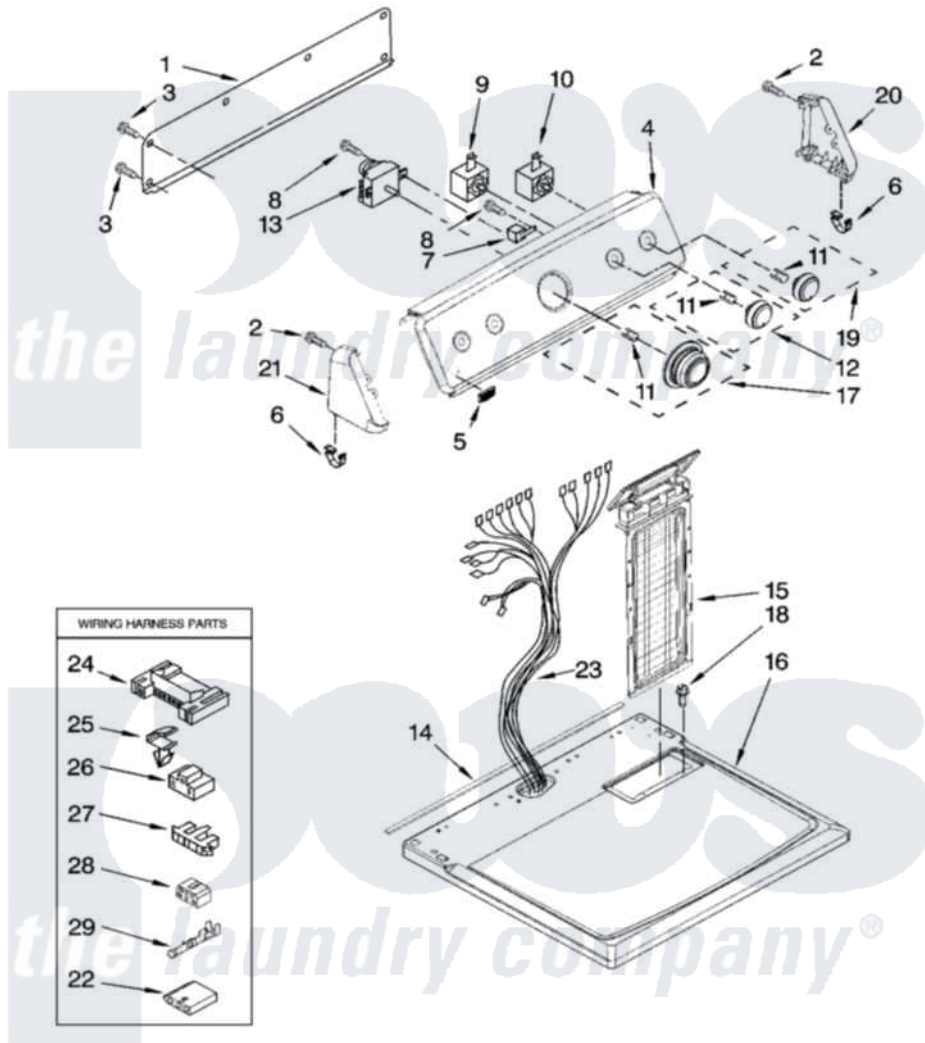


# Maytag YMEDC400VW0 02 - TOP AND CONSOLE PARTS

## TOP AND CONSOLE PARTS

For Model: YMEDC400VW0  
(White/Grey)



W10225291

3

Maytag Residential Maytag YMEDC400VW0 Dryer Parts Parts Diagram 02 - TOP AND CONSOLE PARTS  
Click on the part number to view part

Item	Original Part Number	Replaced By	Status	Part Description
1	<a href="#">W10103406</a>			Panel, Rear Console
2	359625	<a href="#">487240</a>		Screw, For Mtg. Service Capacitor
3	<a href="#">693995</a>			Screw, Hex Head
4	<a href="#">W10086736</a>			Console Assembly
5	<a href="#">W10101390</a>			Badge Assembly
6	<a href="#">8312709</a>			Clip-Console
7	<a href="#">694419</a>			Mini-Buzzer
8	8533971	<a href="#">90767</a>		Screw, 8A X 3/8 HeX Washer Head Tapping
9	<a href="#">3405152</a>			Switch, Wrinkle Shield
10	<a href="#">3977456</a>			Switch, Push-To-Start
11	<a href="#">8536939</a>			Clip, Knob
12	<a href="#">W10180218</a>			Knob, Control Assembly
13	<a href="#">8299779</a>			Timer, 60 Hz
14	<a href="#">W10112267</a>			Foam-Seal Control Bracket
15	<a href="#">8565972</a>			Screen, Lint

16	8579695	<a href="#">W10112599</a>	Top
17	<a href="#">W10180219</a>		Knob, Timer Assembly
18	688983	<a href="#">487240</a>	Screw, For Mtg. Service Capacitor
19	<a href="#">W10180220</a>		Knob Assembly Push-To-Start
20	<a href="#">W10193821</a>		Cap, End
21	<a href="#">W10193824</a>		Endcap Console Bracket
22	<a href="#">3936144</a>		Do-It-Yourself Repair Manuals
23	W10205243	Not Available	Harness, Wiring
24	<a href="#">3395683</a>		Receptacle, Multi-Terminal
25	<a href="#">3394427</a>		Clip-Harness
26	<a href="#">3401144</a>		Connector
27	<a href="#">3397269</a>		Connector, Timer
28	<a href="#">3347243</a>		Block, Disconnect
29	<a href="#">94614</a>		Terminal

