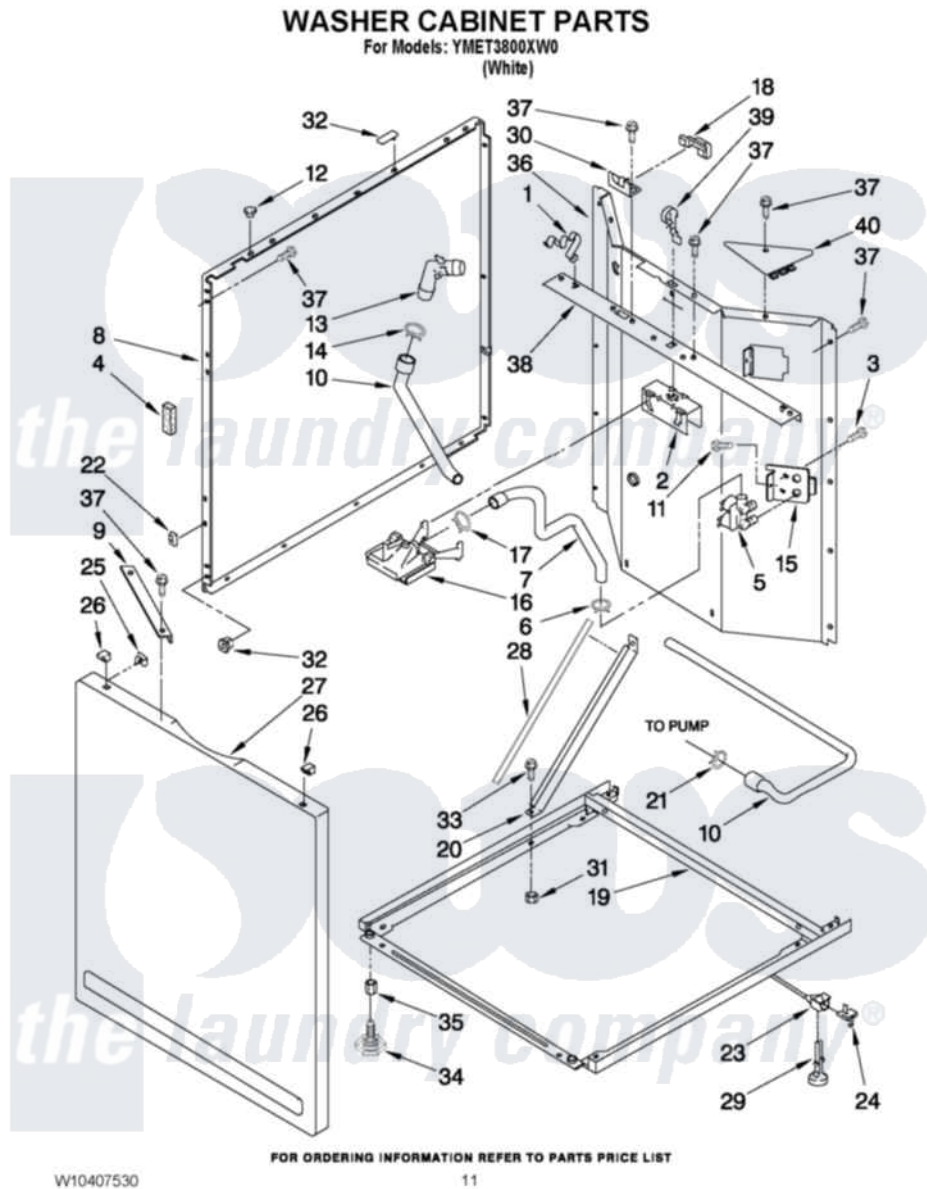


# Maytag YMET3800XW0 07 - WASHER CABINET PARTS



Maytag Residential Maytag YMET3800XW0 Washer/Dryer Parts Parts Diagram 07 - WASHER CABINET PARTS  
Click on the part number to view part

| Item | Original Part Number    | Replaced By             | Status | Part Description             |
|------|-------------------------|-------------------------|--------|------------------------------|
| 1    | <a href="#">3349770</a> |                         |        | Clip, Spring Top             |
| 2    | <a href="#">3349768</a> |                         |        | Bracket, Vacuum              |
| 3    | 62863                   | <a href="#">3390631</a> |        | Screw, 10-16 X 3/8           |
| 4    | <a href="#">3350013</a> |                         |        | Foam                         |
| 5    | 3979349                 | <a href="#">3979345</a> |        | Valve                        |
| 6    | 370451                  | <a href="#">596669</a>  |        | Clamp, Manifold              |
| 7    | <a href="#">8521954</a> |                         |        | Hose, Water Inlet            |
| 8    | <a href="#">3349455</a> |                         |        | Panel, Side                  |
| 9    | <a href="#">3350745</a> |                         |        | Brace, Front Panel           |
| 10   | <a href="#">3353841</a> |                         |        | Hose, Drain                  |
| 11   | <a href="#">9740848</a> |                         |        | Screw, Mixing Valve Mounting |
| 12   | <a href="#">660975</a>  |                         |        | Plug, Top To Cabinet         |
| 13   | <a href="#">8557915</a> |                         |        | Connector, Hose              |
| 14   | <a href="#">356138</a>  |                         |        | Clamp, Hose                  |
| 15   | <a href="#">3349673</a> |                         |        | Bracket, Valve               |
| 16   | 387606                  | <a href="#">3360977</a> |        | Break-Vac                    |

|    |                         |                           |                           |
|----|-------------------------|---------------------------|---------------------------|
| 17 | <a href="#">371503</a>  | <a href="#">596669</a>    | Clamp, Manifold           |
| 18 | <a href="#">3350145</a> |                           | Shield, Lid Switch        |
| 19 | <a href="#">3402724</a> |                           | Base, Cabinet             |
| 20 | <a href="#">3388857</a> |                           | Bracket, Base             |
| 21 | 371507                  | <a href="#">371502</a>    | Clamp, Hose               |
| 22 | <a href="#">3394083</a> |                           | Clip, Front Panel         |
| 23 | <a href="#">3349311</a> |                           | Link, Leveling            |
| 24 | <a href="#">359364</a>  |                           | Clip, Leveling Mechanism  |
| 25 | <a href="#">98234</a>   |                           | Clip, U-Bend              |
| 26 | <a href="#">345670</a>  |                           | Lock, Top                 |
| 27 | <a href="#">3349499</a> |                           | Panel, Front              |
| 28 | 303294                  | <a href="#">3367669</a>   | Protector, Edge           |
| 29 | <a href="#">358594</a>  |                           | Foot, Rear                |
| 30 | <a href="#">3350144</a> |                           | Bracket, Lid Switch       |
| 31 | <a href="#">8533952</a> |                           | Nut, Hex                  |
| 32 | <a href="#">352292</a>  |                           | Nut, Push-In              |
| 33 | 3400300                 | <a href="#">Y015627</a>   | Screw- Hex                |
| 34 | 389102                  | <a href="#">W10001130</a> | Foot, Leveling            |
| 35 | <a href="#">3400917</a> |                           | Nut, Jam                  |
| 36 | <a href="#">3349493</a> |                           | Panel, Rear               |
| 37 | 343641                  | <a href="#">681414</a>    | Screw, 10AB X 1/2         |
| 38 | <a href="#">3349697</a> |                           | Rail, Back Top            |
| 39 | <a href="#">3350135</a> |                           | Spring, Lever Bracket     |
| 40 | <a href="#">3390608</a> |                           | Shield, Corner Right Rear |

