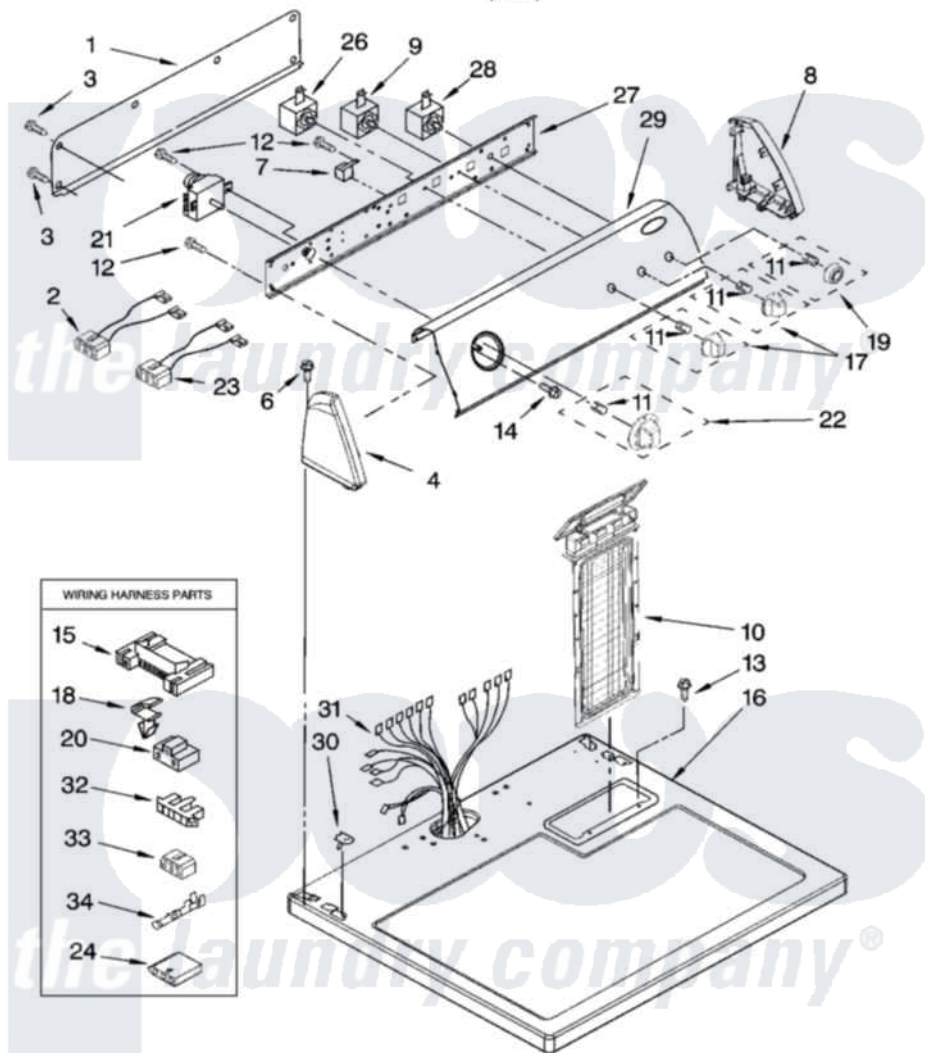


# Maytag YNED5500TQ0 02 - TOP AND CONSOLE PARTS

## TOP AND CONSOLE PARTS

For Models: YNED5500TQ0  
(White)



IMPORTANT: All Part Numbers Listed Are Whirlpool Numbers. Source Parts Through Whirlpool.

W10121749

3

Maytag Residential Maytag YNED5500TQ0 Dryer Parts Parts Diagram 02 - TOP AND CONSOLE PARTS

Click on the part number to view part

Item	Original Part Number	Replaced By	Status	Part Description
1	<a href="#">8274261</a>			Do-It-Yourself Repair Manuals
2	<a href="#">3401695</a>			Wire, Jumper Buzzer
3	<a href="#">693995</a>			Screw, Hex Head
4	8271365	<a href="#">279962</a>		Endcap
6	<a href="#">388326</a>			Screw, 8-18 X 1.25
7	<a href="#">694419</a>			Mini-Buzzer
8	8271359	<a href="#">279962</a>		Endcap
9	<a href="#">3399639</a>			Switch, Rotary Temperature
10	<a href="#">8558463</a>			HAndle And Lint Screen Assembly
11	<a href="#">8536939</a>			Clip, Knob
12	8533971	<a href="#">90767</a>		Screw, 8A X 3/8 HeX Washer Head Tapping
13	688983	<a href="#">487240</a>		Screw, For Mtg. Service Capacitor
14	8533951	<a href="#">3400859</a>		Screw, Grounding
15	<a href="#">3395683</a>			Receptacle, Multi-Terminal

16	8557930	<a href="#">8563985</a>	Top
17	<a href="#">W10110047</a>		Knob, Control
18	<a href="#">3394427</a>		Clip-Harness
19	<a href="#">W10110049</a>		Knob, Push-To-Start
20	<a href="#">3401144</a>		Connector
21	<a href="#">3979617</a>		Timer, 60 Hz
22	<a href="#">W10110048</a>		Timer Knob Assembly
23	<a href="#">8539893</a>		Wire, Jumper
24	<a href="#">3936144</a>		Do-It-Yourself Repair Manuals
26	<a href="#">3405152</a>		Switch, Wrinkle Shield
27	<a href="#">8271418</a>		Bracket, Control
28	<a href="#">3398094</a>		Switch, Push To Start
29	<a href="#">W10086670</a>		Panel Control
30	<a href="#">357213</a>		Nut, Push-In
31	8299874	Not Available	Harness, Wiring
32	<a href="#">3397269</a>		Connector, Timer
33	<a href="#">3347243</a>		Block, Disconnect
34	<a href="#">94614</a>		Terminal

