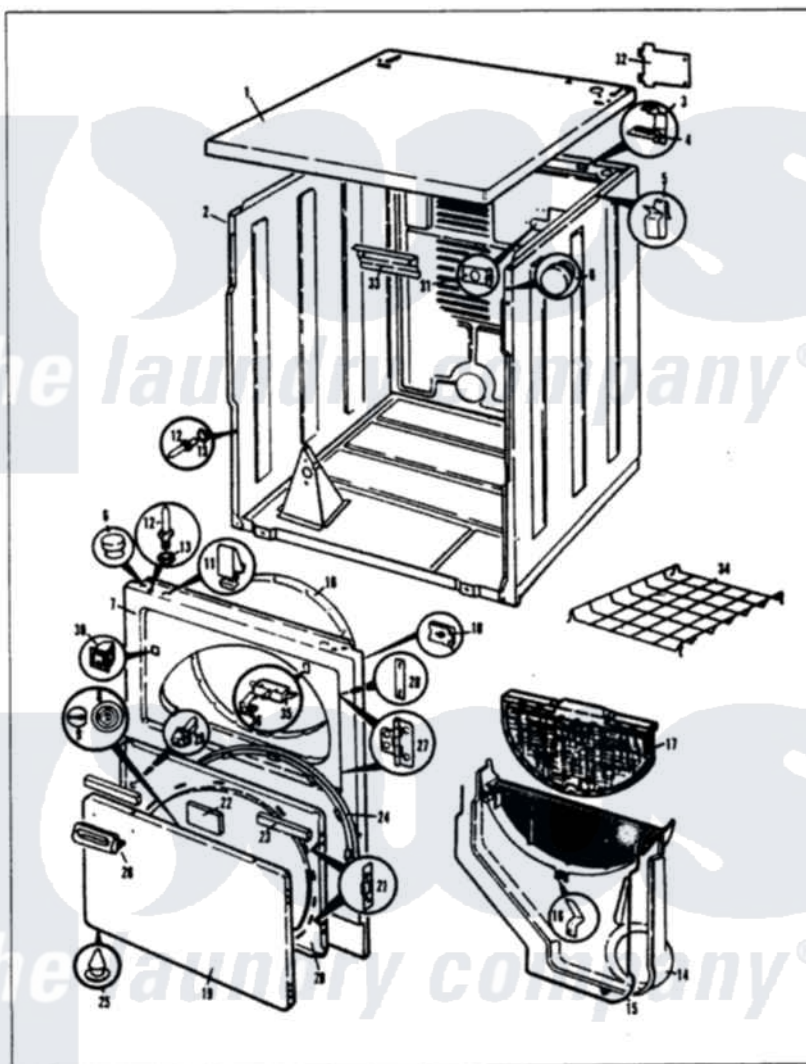


Norge DEF181W 03 - EXTERIOR (ORIG. REV. A-F)

MASTER CARE

DEF18-1

EXTERIOR



Issued 2/86

N-27-23

Norge [Residential Norge DEF181W Dryer Parts](#) Parts Diagram 03 - EXTERIOR (ORIG. REV. A-F)

[Click on the part number to view part](#)

Item	Original Part Number	Replaced By	Status	Part Description
1	53-0124		Not Available	CABINET TOP
2	53-0667	31001714		Cabinet And Base Assembly
3	63-5712			Hinge, Cabinet Top
4	25-3092	90767		Screw, 8A X 3/8 HeX Washer Head Tapping
"	33-0930			Pad, Top Hinge
5	25-3034			Clip, Wiring
6	33-2653			Bumper, Cabinet
7	53-0126	31001771		Panel, Front
8	W10124350		Not Available	NOT REQUIRED PART OR SEE NOTE
9	W10124350		Not Available	NOT REQUIRED PART OR SEE NOTE
10	25-7820	489478		Screw, 8 X 1/2
"	25-7817		Not Available	CLIP, U-TYPE
11	25-7220			Clip, Cabinet Top
12	63-6148	53-0643		Pin, Locator

13	25-0224	3400029	Nut, Adapter Plate
"	53-0200		Sleeve, Locator Pin
14	53-0917	12001324	Duct Kit, Collector
"	25-7810	415013-35	Screw
15	53-0204		Seal
16	53-0123		Clip
17	53-0701		Lint Screen
"	53-0918		Filter, Lint
18	53-0282	31001637	Seal Assembly, Cylinder Front
19	53-0154		Panel, Outer Door
20	53-0104	LA-1024	Inner Door Kit
"	53-0740	Not Available	INNER DOOR
21	53-0119		Clip, Hinge
22	53-0251	53-1490	Door Pad
23	53-0252	53-1491	Door Pad
24	25-7770	3196169	Screw, Element
"	53-0648	31001529	Seal, Door
25	25-3534	25-7889	Plug Button
26	53-0927		Handle, Door
"	25-7810	415013-35	Screw
"	53-0116	53-0927	Handle, Door
27	53-0122	53-1492	Hinge, Dryer Door
28	LA-1003		Door Catch Kit
"	25-7809		Screw, No.6-20 1/2 Flthd Torx
"	53-0121	Not Available	TWIN NUT
29	73-0033	LA-1003	Door Catch Kit
30	53-0882	LA-1003	Door Catch Kit
31	53-0135	Not Available	SUPPORT, POWER CORD
"	25-7828	489483	Screw 10-32 X 1/2
32	53-0136		Cover, Supply Cord
"	W10124350	Not Available	NOT REQUIRED PART OR SEE NOTE SCREW- PURCHASED LOCALLY
33	25-3457		Screw, Sems
"	53-0133		Shield, Heat
34	LA-1005		Switch Kit
"	53-0772	21001495	Rack, Drying
35	53-0148		Switch, Door
36	63-5990	31001319	Clip, Switch