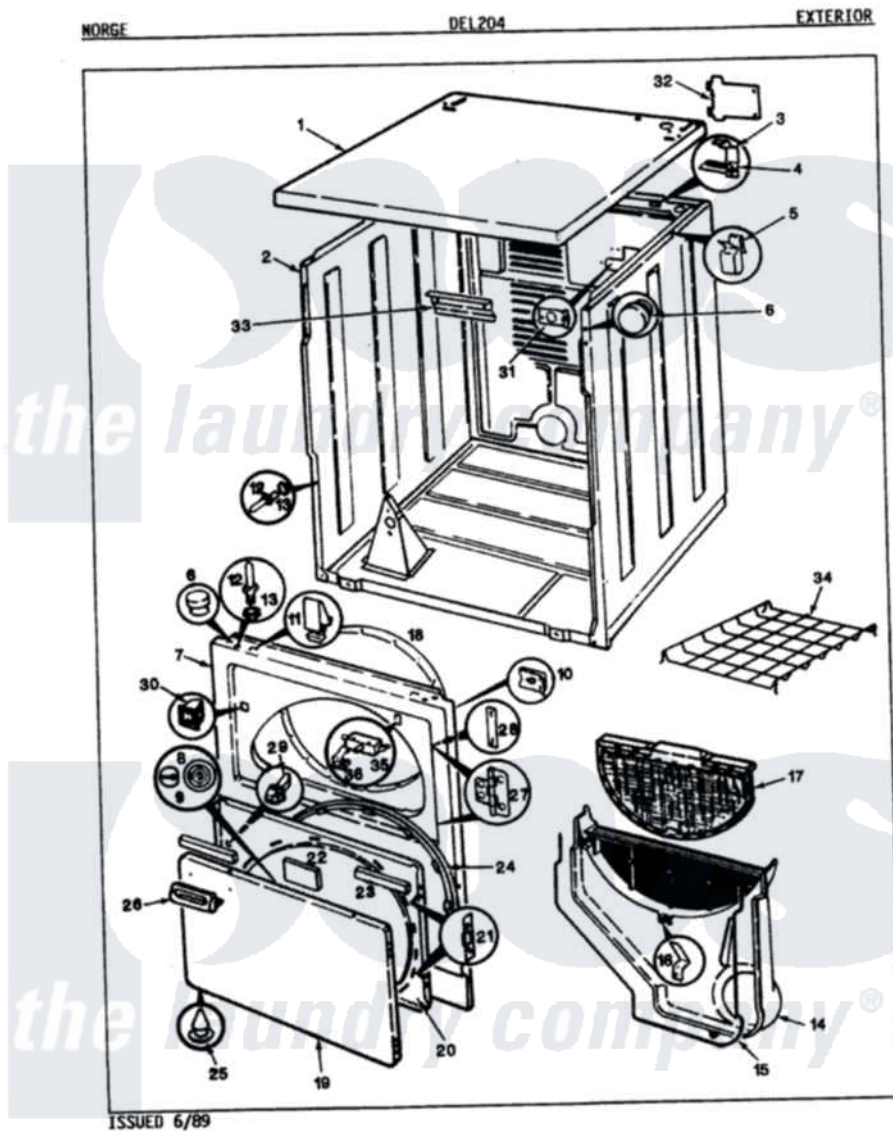


Norge DEL204W 03 - EXTERIOR (ORIG. REV. A-B)



Norge Residential Norge DEL204W Dryer Parts Parts Diagram 03 - EXTERIOR (ORIG. REV. A-B)
 Click on the part number to view part

Item	Original Part Number	Replaced By	Status	Part Description
1	53-0314		Not Available	CABINET TOP
2	53-0667	31001714		Cabinet And Base Assembly
3	63-5712			Hinge, Cabinet Top
4	25-3092	90767		Screw, 8A X 3/8 HeX Washer Head Tapping
"	33-0930			Pad, Top Hinge
5	25-3034			Clip, Wiring
6	33-2653			Bumper, Cabinet
7	53-0726-25		Not Available	PANEL, FRONT (H WHT)ELECTRIC
"	53-0726	31001771		Panel, Front
"	53-0726-24		Not Available	PANEL, FRONT (ALM)-ELECTRIC
10	25-7817		Not Available	CLIP, U-TYPE
"	25-7820	489478		Screw, 8 X 1/2
11	25-7220			Clip, Cabinet Top
12	63-6148	53-0643		Pin, Locator

13	25-0224	3400029	Nut, Adapter Plate
"	53-0200		Sleeve, Locator Pin
14	53-0917	12001324	Duct Kit, Collector
"	25-7810	415013-35	Screw
"	53-1299	12001324	Duct Kit, Collector
15	53-1298	Not Available	SEAL
"	53-0203	12001324	Duct Kit, Collector
16	53-0123		Clip
17	53-0701		Lint Screen
18	53-0282	31001637	Seal Assembly, Cylinder Front
19	53-0154-24		Panel, Outer Door
"	53-0154-25	Not Available	PANEL, OUTER DOOR (H WHT)
"	53-0154		Panel, Outer Door
20	53-0104	LA-1024	Inner Door Kit
21	53-0119		Clip, Hinge
22	53-0251	53-1490	Door Pad
23	53-0252	53-1491	Door Pad
24	25-7770	3196169	Screw, Element
"	53-0648	31001529	Seal, Door
25	25-3534	25-7889	Plug Button
26	25-7810	415013-35	Screw
"	53-0928	53-0927	Handle, Door
27	53-0122	53-1492	Hinge, Dryer Door
28	25-7809		Screw, No.6-20 1/2 Flthd Torx
"	LA-1003		Door Catch Kit
"	53-0121	Not Available	TWIN NUT
29	73-0033	LA-1003	Door Catch Kit
30	53-0882	LA-1003	Door Catch Kit
31	25-7828	489483	Screw 10-32 X 1/2
"	53-0135	Not Available	SUPPORT, POWER CORD
32	53-0136		Cover, Supply Cord
"	W10124350	Not Available	NOT REQUIRED PART OR SEE NOTE SCREW-PURCHASED LOCALLY
33	53-0133		Shield, Heat
"	25-3457		Screw, Sems
34	LA-1005		Switch Kit
"	53-0772	21001495	Rack, Drying
35	53-0148		Switch, Door
36	63-5577-1	Not Available	MANUAL, USE & CARE
"	63-5990	31001319	Clip, Switch