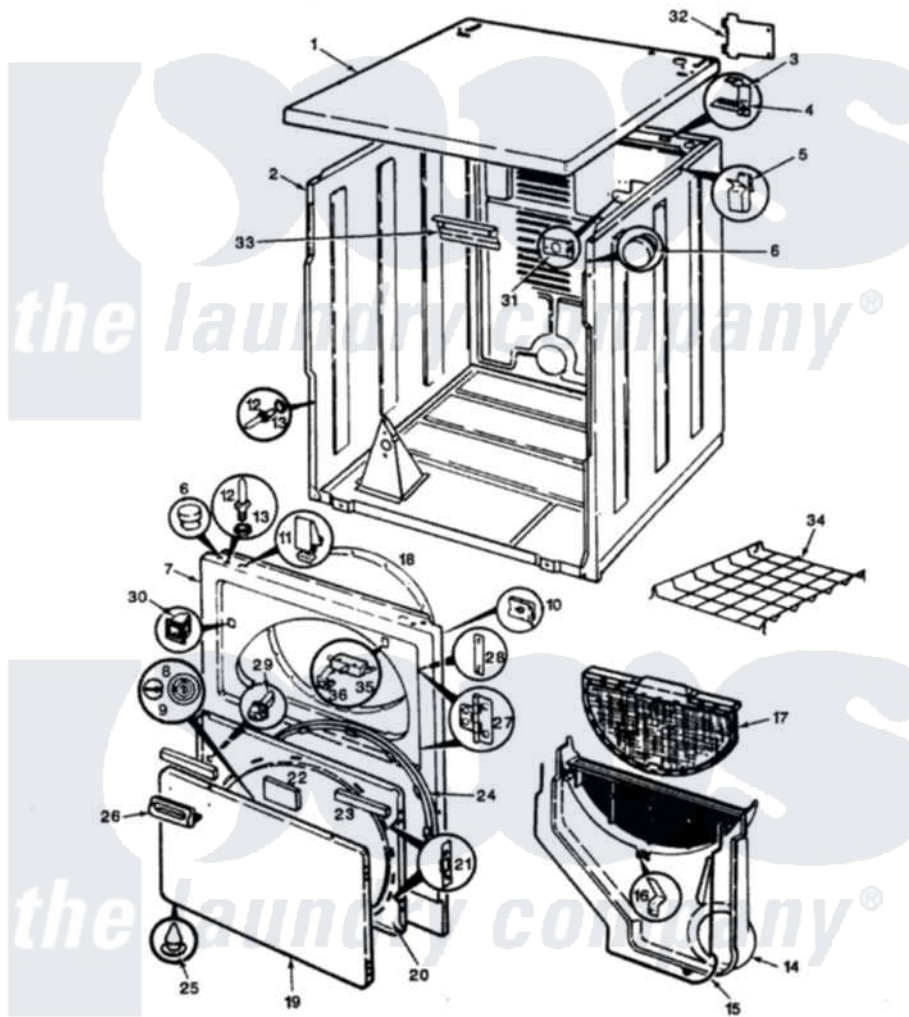


Norge DEM204W 02 - EXTERIOR (REV. A-C)

SECTION: EXTERIOR
MODEL: DEM204



Issue Date: 6/90

Norge [Residential Norge DEM204W Dryer Parts](#) Parts Diagram 02 - EXTERIOR (REV. A-C)
Click on the part number to view part

| Item | Original Part Number | Replaced By | Status | Part Description |
|------|-------------------------|--------------------------|---------------|--|
| 1 | 53-0314 | | Not Available | CABINET TOP |
| " | 53-1711 | | Not Available | CABINET TOP (DRYER) |
| 2 | 53-0667 | 31001714 | | Cabinet And Base Assembly |
| 3 | 63-5712 | | | Hinge, Cabinet Top |
| 4 | 33-0930 | | | Pad, Top Hinge |
| " | 25-3092 | 90767 | | Screw, 8A X 3/8 HeX Washer Head Tapping |
| 5 | 25-3034 | | | Clip, Wiring |
| 6 | 33-2653 | | | Bumper, Cabinet |
| 7 | 53-0726 | 31001771 | | Panel, Front |
| 8 | W10124350 | | Not Available | NOT REQUIRED PART OR SEE NOTE NOT REQUIRED |
| 9 | W10124350 | | Not Available | NOT REQUIRED PART OR SEE NOTE NOT REQUIRED |
| 10 | 25-7820 | 489478 | | Screw, 8 X 1/2 |
| " | 25-7817 | | Not Available | CLIP, U-TYPE |
| 11 | 25-7220 | | | Clip, Cabinet Top |

| | | | |
|----|-------------------------|---------------------------|-------------------------------|
| 12 | 63-6148 | 53-0643 | Pin, Locator |
| 13 | 53-0200 | | Sleeve, Locator Pin |
| " | 25-0224 | 3400029 | Nut, Adapter Plate |
| 14 | 25-7810 | 415013-35 | Screw |
| 15 | 53-0204 | | Seal |
| 16 | 53-0123 | | Clip |
| 17 | 53-0701 | | Lint Screen |
| 18 | 53-0282 | 31001637 | Seal Assembly, Cylinder Front |
| 19 | 53-0154 | | Panel, Outer Door |
| 20 | 53-0104 | LA-1024 | Inner Door Kit |
| 21 | 53-0119 | | Clip, Hinge |
| 22 | 53-0251 | 53-1490 | Door Pad |
| 23 | 53-0252 | 53-1491 | Door Pad |
| 24 | 53-0648 | 31001529 | Seal, Door |
| " | 25-7770 | 3196169 | Screw, Element |
| 25 | 25-3534 | 25-7889 | Plug Button |
| 26 | 53-0928 | 53-0927 | Handle, Door |
| " | 25-7810 | 415013-35 | Screw |
| 27 | 53-0122 | 53-1492 | Hinge, Dryer Door |
| 28 | 25-7809 | | Screw, No.6-20 1/2 Flthd Torx |
| " | 53-0121 | Not Available | TWIN NUT |
| 29 | 73-0033 | LA-1003 | Door Catch Kit |
| 30 | 53-0882 | LA-1003 | Door Catch Kit |
| " | LA-1003 | | Door Catch Kit |
| 31 | 53-0135 | Not Available | SUPPORT, POWER CORD |
| " | 25-7828 | 489483 | Screw 10-32 X 1/2 |
| 32 | 53-0136 | | Cover, Supply Cord |
| 33 | 25-3457 | | Screw, Sems |
| " | 53-0133 | | Shield, Heat |
| 34 | LA-1005 | | Switch Kit |
| " | 53-0772 | 21001495 | Rack, Drying |
| 35 | 53-0148 | | Switch, Door |
| 36 | 63-5990 | 31001319 | Clip, Switch |

