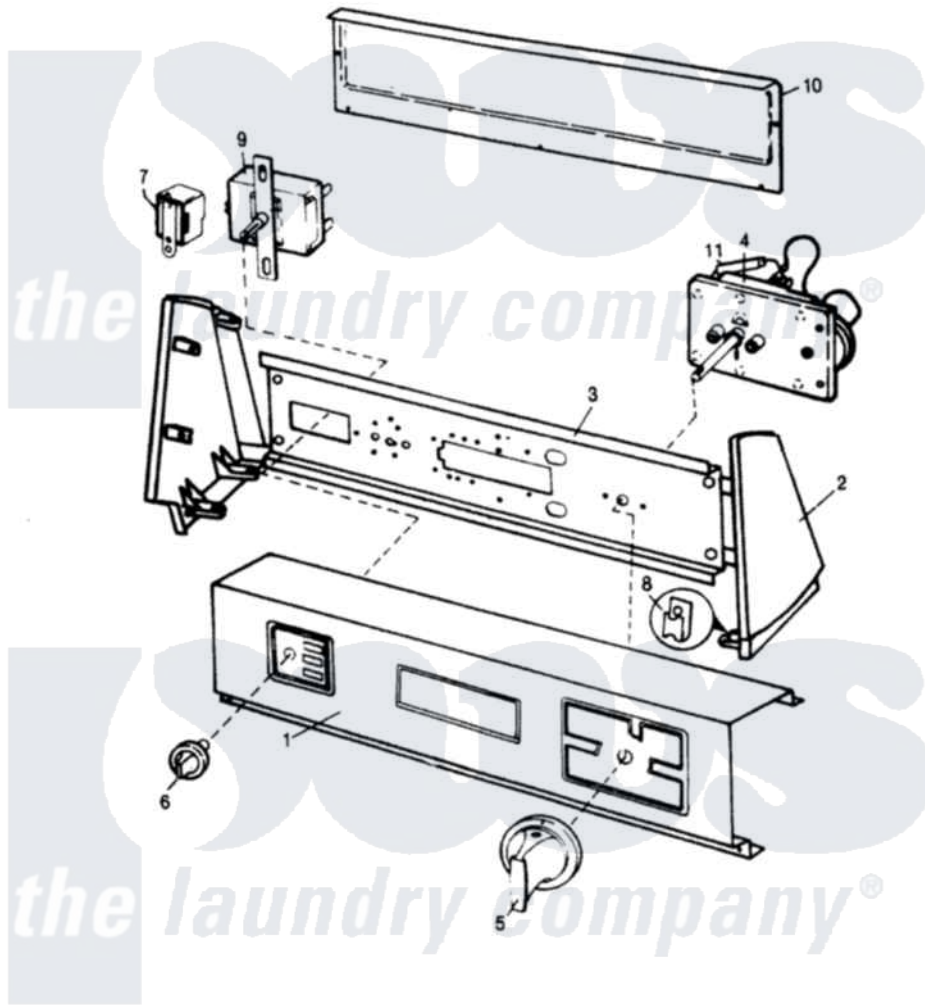


# Norge DEM204WC 01 - CONTROL PANEL (ORIG. REV. A)

SECTION: BACKGUARD  
 MODEL: DEM204C



Issue Date: 6/90

Norge [Residential Norge DEM204WC Dryer Parts](#) Parts Diagram 01 - CONTROL PANEL (ORIG. REV. A)  
 Click on the part number to view part

Item	Original Part Number	Replaced By	Status	Part Description
1	25-7649	<a href="#">910187</a>		Screw
"	<a href="#">25-7702</a>			Speedclip, End Cap To Control Panel
"	53-1283		Not Available	CONTROL PANEL
2	35-2488	<a href="#">21001452</a>		Cap- End
"	<a href="#">25-7760</a>			Screw
"	35-2487	<a href="#">21001451</a>		Cap- End
"	53-0277		Not Available	TRIM, END CAP (RT)
"	53-0278		Not Available	TRIM, END CAP (LT)
3	25-3092	<a href="#">90767</a>		Screw, 8A X 3/8 HeX Washer Head Tapping
"	<a href="#">25-7702</a>			Speedclip, End Cap To Control Panel
"	53-1678		Not Available	CONTROL SHIELD
4	25-0088	<a href="#">489483</a>		Screw 10-32 X 1/2
"	<a href="#">53-1362</a>			Timer
"	63-5685	<a href="#">63-5613</a>		Timer

"	25-7435	<a href="#">33002917</a>	Screw, No.10-16
"	53-1816		Not Available
5	<a href="#">25-6044</a>		TIMER
"	53-1530	<a href="#">31001219</a>	Set Screw
6	35-2186		Not Available
7	25-3092	<a href="#">90767</a>	Knob Ski
"	63-6731	<a href="#">53-1639</a>	KNOB, SELECTOR
8	<a href="#">25-7702</a>		Screw, 8A X 3/8 HeX Washer Head Tapping
9	25-3092	<a href="#">90767</a>	Buzzer Assembly
"	<a href="#">53-1263</a>		Speedclip, End Cap To Control Panel
10	25-7435	<a href="#">33002917</a>	Screw, 8A X 3/8 HeX Washer Head Tapping
"	<a href="#">25-7852</a>		Rotary Switch
"	<a href="#">25-7851</a>		Screw, No.10-16
"	34-9487		Not Available
"	35-2688	<a href="#">21001460</a>	Speedclip, Rr Shld To End Cap
"	25-7697	<a href="#">25-2219</a>	Speedclip, End Cap To Top
"	25-3092	<a href="#">90767</a>	PLATE, REINFORCEMENT
11	25-7712		Not Available
"	33-8541		Not Available
"	63-6743	<a href="#">31001484</a>	Shield, Rear
"	<a href="#">35-0385</a>		Screw
"	<a href="#">53-1296</a>		Screw, 8A X 3/8 HeX Washer Head Tapping
"	33-6621		Not Available
NI	53-1448		Not Available
			SCREW
			SWITCH PAD
			Resistor Assembly
			Pushbutton
			Switch
			BRACKET, SWITCH
			MANUAL, USE & CARE

*the laundry company*<sup>®</sup>

**Howes**  
*the laundry company*<sup>®</sup>