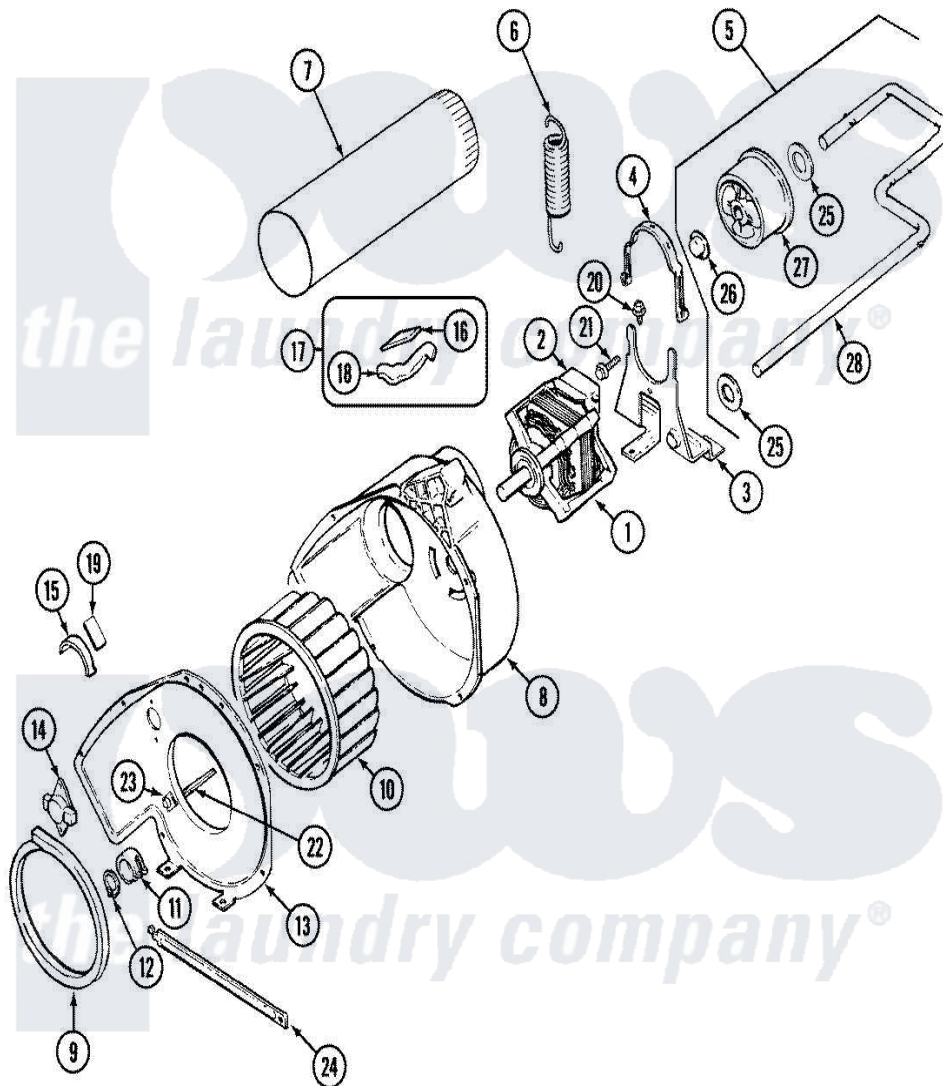


Norge DEN204A 05 - MOTOR & DRIVE



Norge Residential Norge DEN204A Dryer Parts Parts Diagram 05 - MOTOR & DRIVE
 Click on the part number to view part

| Item | Original Part Number | Replaced By | Status | Part Description |
|------|--------------------------|---------------------------|---------------|--|
| 1 | 31001015 | W10410996 | | Motor-Drve |
| 2 | 53-0693 | 53-0332 | | Motor Switch |
| 3 | 25-7732 | 681414 | | Screw, 10AB X 1/2 |
| " | 53-1932 | 31001570 | | Bracket, Motor |
| 4 | 53-0214 | 660658 | | Clamp, Motor Mounting 343481 685441 |
| 5 | 53-2287 | | | Idler Assembly |
| 6 | 53-2209 | 31001465 | | Spring, Idler |
| 7 | 53-0134 | | | Duct, Exhaust |
| " | 25-2134 | W10116760 | | Screw |
| 8 | 53-1801 | | | Housing, Blower |
| 9 | 53-0203 | 12001324 | | Duct Kit, Collector |
| 10 | 31001043 | | | Wheel, Blower |
| 11 | 25-7823 | 312967 | | Clamp, Blower Housing |
| 12 | 25-7855 | | | Ring, Retaining |
| 13 | 25-7435 | 33002917 | | Screw, No.10-16 |
| " | 53-1933 | | Not Available | COVER, BLOWER HOUSING |

| | | | |
|----|-------------------------|---------------------------|-----------------------------------|
| 14 | 25-2134 | W10116760 | Screw |
| " | 53-1107 | | Thermostat, Control |
| " | 53-0170 | Not Available | THERMOSTAT, LO-LIMIT (120/110) |
| 15 | 53-2273 | 31001470 | Glide, Tumbler |
| 16 | 53-0724 | 31001356 | Pad, Glide |
| 17 | LA-1006 | | Glide Kit, Tumbler |
| 18 | 53-2272 | 31001469 | Glide, Tumbler |
| 19 | 53-1684 | 31001356 | Pad, Glide |
| 20 | 25-7963 | 31001571 | Screw, 10-24 x 0700 Hxwshrd Ty |
| 21 | 25-7674 | | Screw |
| 22 | 53-1026 | | Guide, Vane Inlet |
| 23 | 25-3457 | | Screw, Sems |
| 24 | 53-1625 | | Brace, Tumbler Support |
| 25 | 25-7815 | | Washer |
| 26 | 25-7957 | | Pushnut |
| 27 | 53-1628 | 31001344 | Pulley, Idler |
| 28 | 53-2250 | 53-2287 | Idler Assembly |

