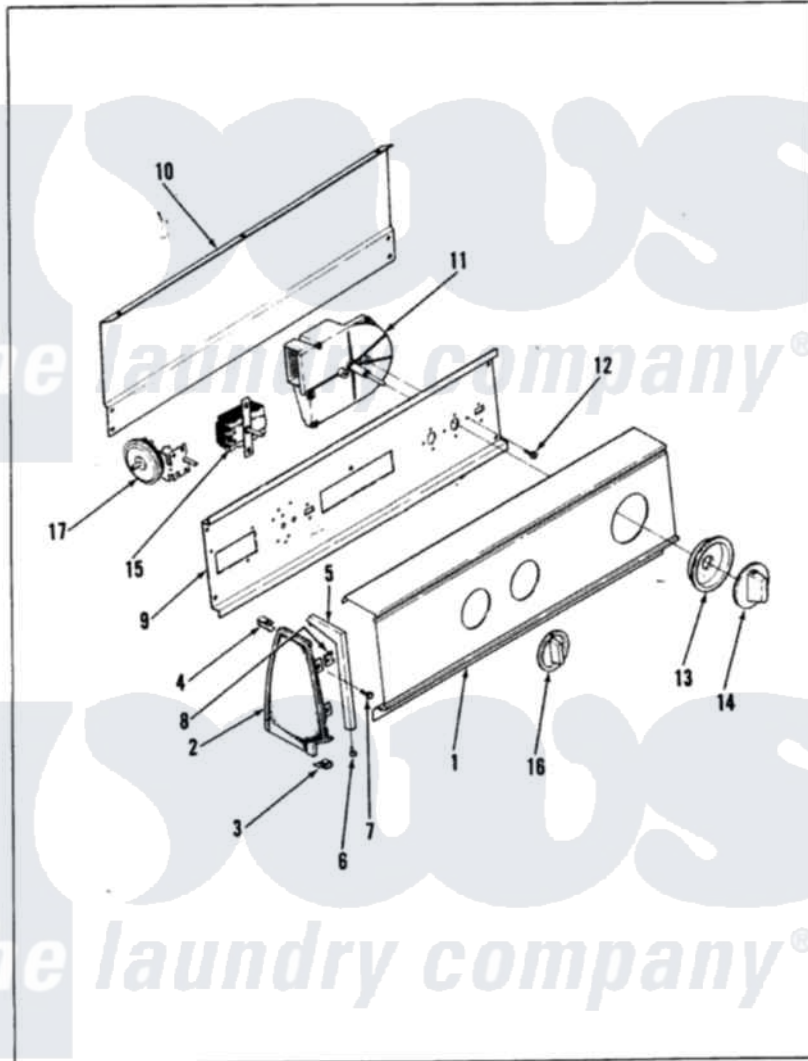


# Norge LWJ266A 02 - CONTROL PANEL (ORIG. REV. A)

NORGE

LWJ26-6

BACKGUARD



Issued 4/88

Norge [Residential Norge LWJ266A Washer Parts](#) Parts Diagram 02 - CONTROL PANEL (ORIG. REV. A)  
 Click on the part number to view part

| Item | Original Part Number    | Replaced By             | Status        | Part Description                        |
|------|-------------------------|-------------------------|---------------|---|
| 1    | 35-0190                 |                         | Not Available | CONTROL PANEL                           |
| 2    | 25-7649                 | <a href="#">910187</a>  |               | Screw                                   |
| "    | <a href="#">25-7702</a> |                         |               | Speedclip, End Cap To Control Panel     |
| "    | <a href="#">53-0265</a> |                         |               | LH Endcap                               |
| "    | <a href="#">53-0264</a> |                         |               | RH Endcap                               |
| 3    | 34-9487                 |                         | Not Available | PLATE, REINFORCEMENT                    |
| "    | 25-7697                 | <a href="#">25-2219</a> |               | Screw                                   |
| "    | <a href="#">25-7851</a> |                         |               | Speedclip, End Cap To Top               |
| 4    | 25-7579                 | <a href="#">489478</a>  |               | Screw, 8 X 1/2                          |
| "    | <a href="#">25-7852</a> |                         |               | Speedclip, Rr Shld To End Cap           |
| 5    | 53-0277                 |                         | Not Available | TRIM, END CAP (RT)                      |
| "    | 53-0278                 |                         | Not Available | TRIM, END CAP (LT)                      |
| 6    | <a href="#">25-7760</a> |                         |               | Screw                                   |
| 7    | 25-3092                 | <a href="#">90767</a>   |               | Screw, 8A X 3/8 HeX Washer Head Tapping |

|    |                         |                          |   |
|----|-------------------------|--------------------------|---|
| 8  | <a href="#">25-7702</a> |                          | Speedclip, End Cap To Control Panel     |
| 9  | 53-0365                 | <a href="#">53-1676</a>  | Shield, Control                         |
| 10 | 25-7583                 |                          | Not Available PLASTIC NUT               |
| "  | <a href="#">25-3457</a> |                          | Screw, Sems                             |
| "  | 25-3092                 | <a href="#">90767</a>    | Screw, 8A X 3/8 HeX Washer Head Tapping |
| "  | 53-0268                 | <a href="#">21001460</a> | Shield, Rear                            |
| 11 | 35-0517                 |                          | Not Available TIMER MOTOR               |
| "  | 35-0492                 |                          | Not Available EXPORT TIMER              |
| 12 | 25-0088                 | <a href="#">489483</a>   | Screw 10-32 X 1/2                       |
| 13 | 35-0180                 | <a href="#">12500058</a> | Knob Ski                                |
| 14 | 35-0498                 | <a href="#">12500058</a> | Knob Ski                                |
| 15 | 35-0114                 |                          | Not Available TEMP SWITCH               |
| "  | 25-3092                 | <a href="#">90767</a>    | Screw, 8A X 3/8 HeX Washer Head Tapping |
| 16 | 35-0168                 |                          | Not Available SELECTOR KNOB             |
| 17 | <a href="#">35-0782</a> |                          | Pressure Switch                         |
| "  | 25-3092                 | <a href="#">90767</a>    | Screw, 8A X 3/8 HeX Washer Head Tapping |

