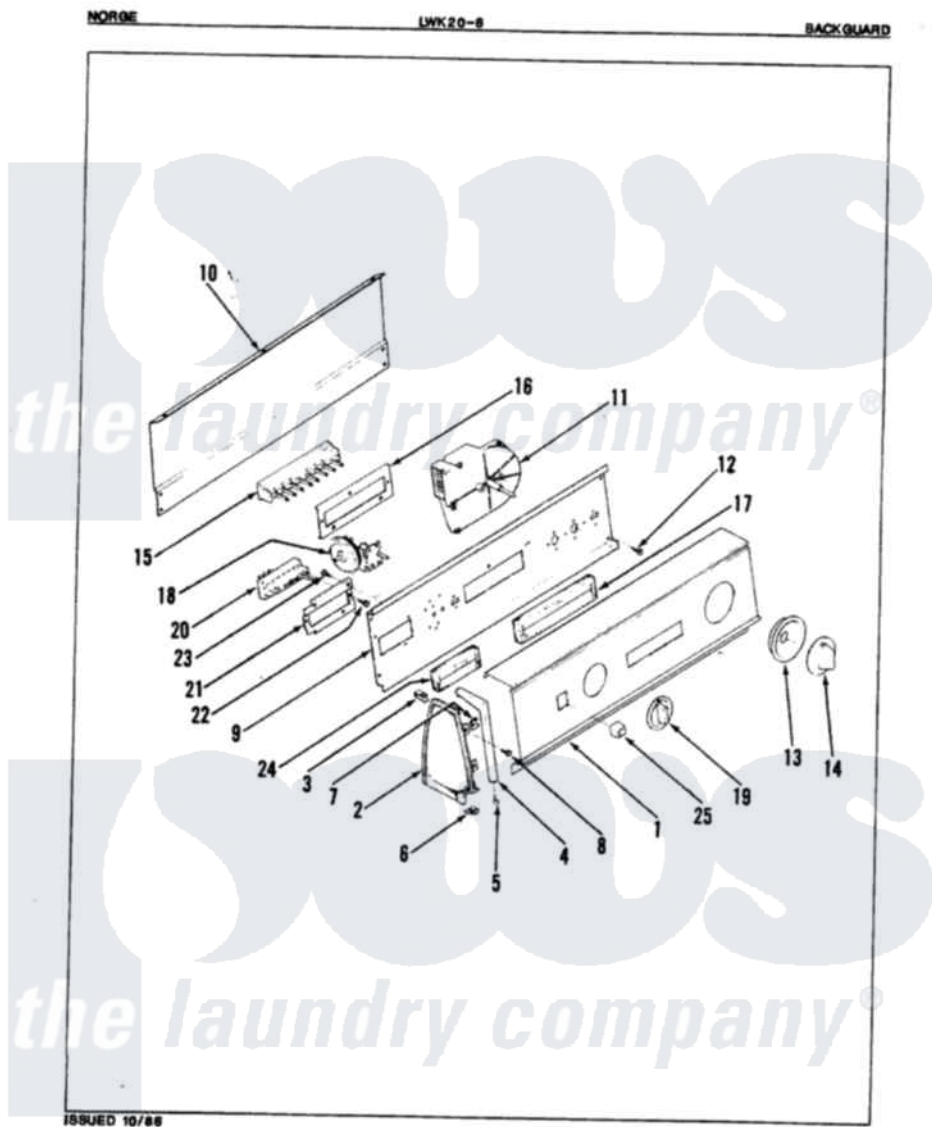


Norge LWK208W 02 - CONTROL PANEL (ORIG. REV. A)



Norge Residential Norge LWK208W Washer Parts Parts Diagram 02 - CONTROL PANEL (ORIG. REV. A)
 Click on the part number to view part

Item	Original Part Number	Replaced By	Status	Part Description
1	35-1002		Not Available	CONTROL PANEL
"	25-7649	910187		Screw
"	25-7702			Speedclip, End Cap To Control Panel
2	53-0265			LH Endcap
"	53-0264			RH Endcap
3	25-7852			Speedclip, Rr Shld To End Cap
"	25-7435	33002917		Screw, No.10-16
4	53-0277		Not Available	TRIM, END CAP (RT)
"	53-0278		Not Available	TRIM, END CAP (LT)
5	25-7760			Screw
6	25-7851			Speedclip, End Cap To Top
"	34-9487		Not Available	PLATE, REINFORCEMENT
"	25-7697	25-2219		Screw
7	25-7702			Speedclip, End Cap To Control Panel

8	25-3092	90767	Screw, 8A X 3/8 HeX Washer Head Tapping
9	53-0267	Not Available	CONTROL SHIELD
10	25-3092	90767	Screw, 8A X 3/8 HeX Washer Head Tapping
"	25-7583	Not Available	PLASTIC NUT
"	25-3457		Screw, Sems
"	53-0268	21001460	Shield, Rear
11	35-0116		Timer Motor 3/5 RPM
"	35-0728		Timer
12	25-0088	489483	Screw 10-32 X 1/2
13	35-0180	12500058	Knob Ski
14	35-0498	12500058	Knob Ski
15	33-9989	Not Available	SELECTOR SWITCH
16	25-3092	90767	Screw, 8A X 3/8 HeX Washer Head Tapping
"	33-6620	Not Available	BRACKET
17	33-8540	Not Available	SWITCH PAD
"	35-0385		Pushbutton
18	25-3092	90767	Screw, 8A X 3/8 HeX Washer Head Tapping
"	35-0782		Pressure Switch
19	35-0168	Not Available	SELECTOR KNOB
20	33-9914		PB Switch
21	33-6620	Not Available	BRACKET
22	25-7713	Not Available	SCREW
23	25-3092	90767	Screw, 8A X 3/8 HeX Washer Head Tapping
24	33-8541	Not Available	SWITCH PAD
25	35-0385		Pushbutton

the laundry company[®]

lows
the laundry company[®]