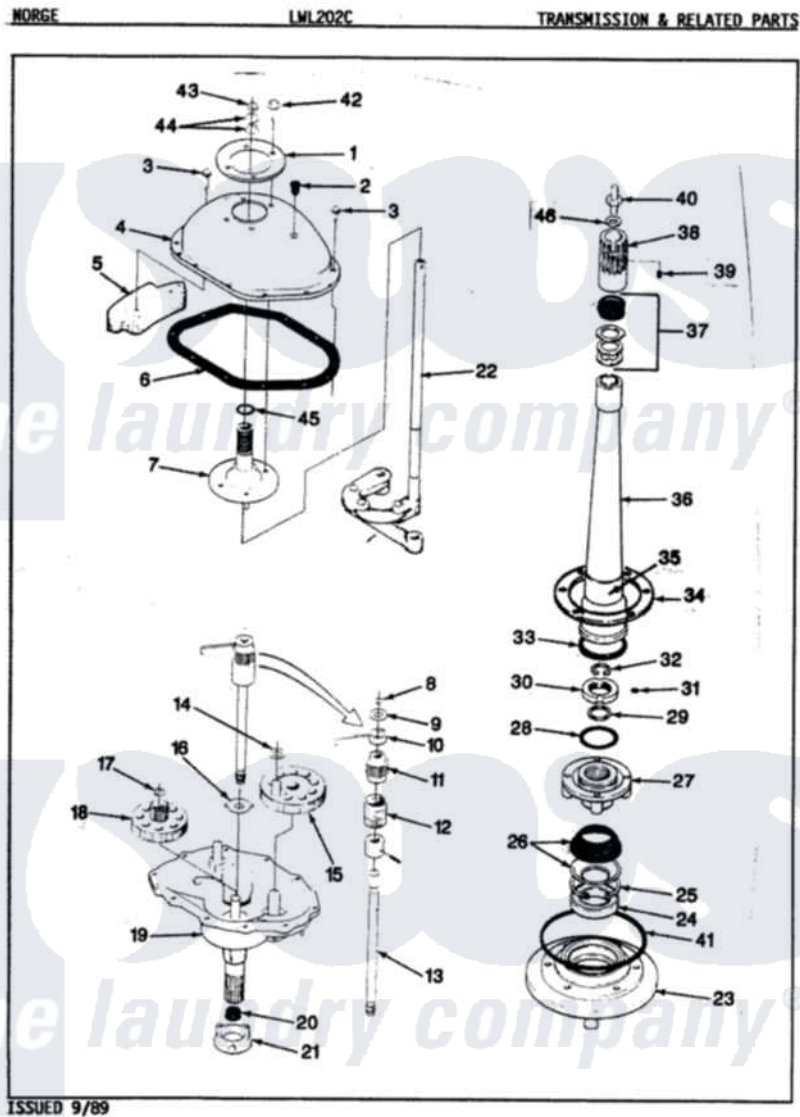


Norge LWL202AC 03 - TRANSMISSION (ORIG. REV. A)



Norge Residential Norge LWL202AC Washer Parts Parts Diagram 03 - TRANSMISSION (ORIG. REV. A)
 Click on the part number to view part

Item	Original Part Number	Replaced By	Status	Part Description
1	33-9893	33-7187		Covr Reinforcmt
2	33-9373		Not Available	OIL FILL PLUG
3	25-7916			Bolt
4	33-4286N			Transmission Cover Kit
5	35-2130		Not Available	COUNTER WEIGHT
6	35-1030		Not Available	GASKET, TRANSMISSION HOUSING
7	33-8763	33-4286N		Transmission Cover Kit
8	25-7847			Ring, Retaining
9	25-7416		Not Available	WASHER, FLAT
10	33-6114	33-6463		Spring
11	35-2001			Pinion, Drive
12	33-3195		Not Available	SPRING
13	35-2116		Not Available	DRIVE SHAFT & HUB ASSY
"	LA-2005			Clutch Assembly Kit
14	25-7091			Thrust Washer
15	35-2043			Crank Gear

16	35-2462	35-3825	Washer, Nylon
"	35-2070		Washer, Steel W/Tabs
17	25-7853	25-7933	Ring, Retaining
18	35-2013	35-0547	Cluster Gear
19	35-2012		Not Available TRANSMISSION HOUSING ASSY
20	35-2010	207843	Lip Seal Repair Kit
21	35-2111	12001562	Bearing Assembly
22	35-0628	35-3573	Linkage As
23	35-2059	35-2450	Housing Assembly, Bearing And Seal
24	35-2205		Bearing, Spin
25	25-7849		Retaining Ring
26	33-7224N		Tub Seal Assembly
27	33-9987		Not Available BASKET HUB ASM
28	35-2061		Gasket, Tub To Housing
29	25-7722	33-4293N	Gasket Kit
30	33-9507	33-9504	Locknut
31	25-7120		Set Screw
32	25-7848		Retaining Ring
33	33-8718		Gasket
34	35-0930		Gasket
35	33-6790		Bearing, Agitator
36	33-4283N		Not Available CENTERPOST KIT
37	33-7806N		Seal Assembly
38	33-9729		Not Available DRIVE BLOCK ASM
39	25-7378		Set Screw
40	33-6817		Stud
41	35-2060		Seal, Tub To Housing
42	25-7359		Screw
43	25-7848		Retaining Ring
44	25-7057		Washer, Flat
45	25-7722	33-4293N	Gasket Kit
46	25-7316		Flat Washer
47	LA-2001		Not Available TRANSMISSION REPLACEMENT KIT

