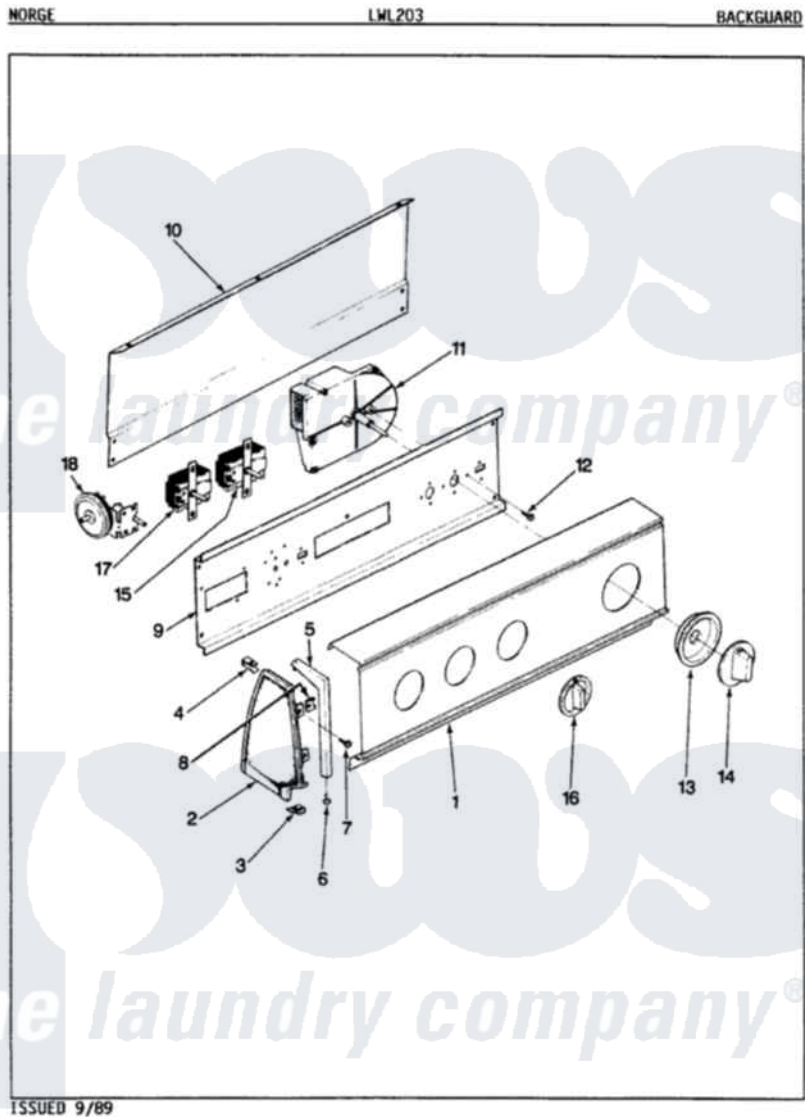


Norge LWL203A 04 - CONTROL PANEL (REV. A-D)



Norge Residential Norge LWL203A Washer Parts Parts Diagram 04 - CONTROL PANEL (REV. A-D)
 Click on the part number to view part

| Item | Original Part Number | Replaced By | Status | Part Description |
|------|-------------------------|--------------------------|---------------|-------------------------------------|
| 1 | 25-7649 | 910187 | | Screw |
| " | 25-7702 | | | Speedclip, End Cap To Control Panel |
| " | 35-2178 | | Not Available | CONTROL PANEL |
| 2 | 53-0265 | | | LH Endcap |
| " | 53-0264 | | | RH Endcap |
| " | 35-2488 | 21001452 | | Cap- End |
| " | 35-2487 | 21001451 | | Cap- End |
| 3 | 25-7851 | | | Speedclip, End Cap To Top |
| " | 25-7697 | 25-2219 | | Screw |
| " | 34-9487 | | Not Available | PLATE, REINFORCEMENT |
| 4 | 25-7435 | 33002917 | | Screw, No.10-16 |
| " | 25-7852 | | | Speedclip, Rr Shld To End Cap |
| 5 | 53-0278 | | Not Available | TRIM, END CAP (LT) |
| " | 53-0277 | | Not Available | TRIM, END CAP (RT) |
| 6 | 25-7760 | | | Screw |

| | | | |
|----|-------------------------|--------------------------|---|
| 7 | 25-3092 | 90767 | Screw, 8A X 3/8 HeX Washer Head Tapping |
| 8 | 25-7702 | | Speedclip, End Cap To Control Panel |
| 9 | 53-1676 | | Shield, Control |
| " | 53-0365 | 53-1676 | Shield, Control |
| 10 | 25-7853 | 25-7933 | Ring, Retaining |
| " | 25-3457 | | Screw, Sems |
| " | 53-0268 | 21001460 | Shield, Rear |
| " | 35-2688 | 21001460 | Shield, Rear |
| " | 25-3092 | 90767 | Screw, 8A X 3/8 HeX Washer Head Tapping |
| 11 | 35-2211 | Not Available | TIMER |
| 12 | 25-0205 | 216412 | Screw, Bracket To Timer |
| 13 | 35-2255 | 21001497 | Skirt Ri |
| 14 | 35-2188 | 12500058 | Knob Ski |
| 15 | 25-3092 | 90767 | Screw, 8A X 3/8 HeX Washer Head Tapping |
| " | 35-0114 | Not Available | TEMP SWITCH |
| 16 | 35-2186 | Not Available | KNOB, SELECTOR |
| 17 | 25-3092 | 90767 | Screw, 8A X 3/8 HeX Washer Head Tapping |
| " | 35-2193 | Not Available | SWITCH, ROTARY SPEED |
| 18 | 25-3092 | 90767 | Screw, 8A X 3/8 HeX Washer Head Tapping |
| " | 35-2145 | 21001554 | Switch, Water Level |
| 19 | 35-2353 | Not Available | MANUAL, U&C INSERT |

the laundry company[®]

the laundry company[®]