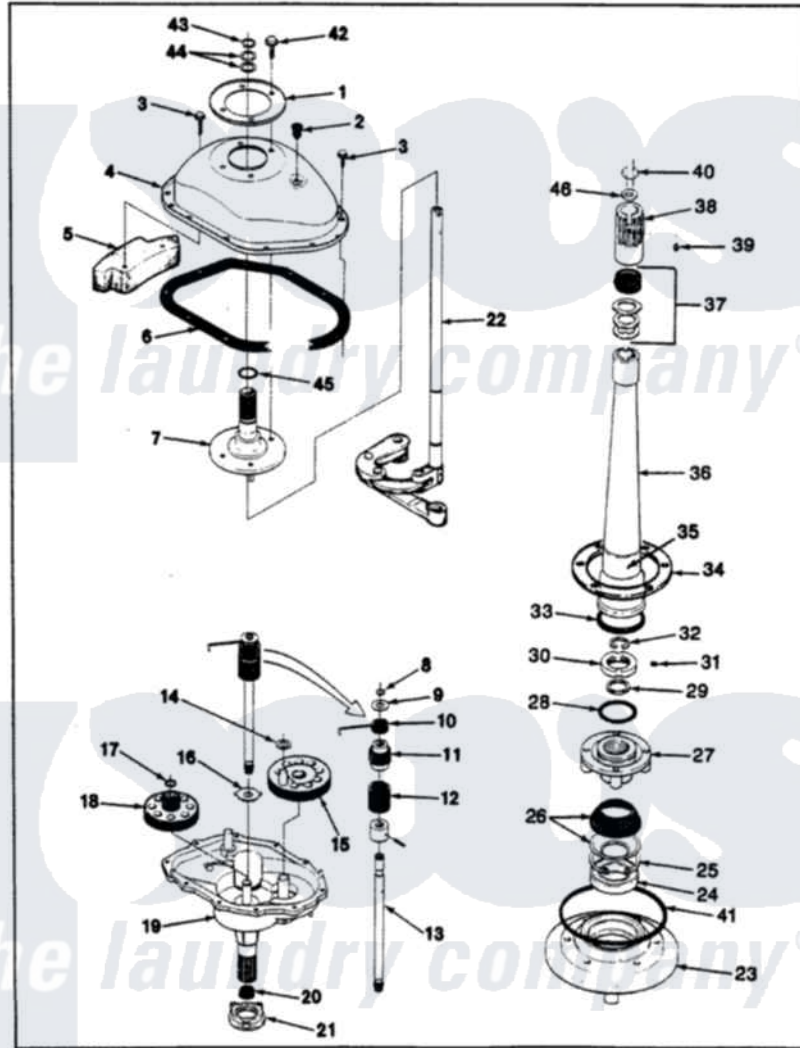


Norge LWL203HC 12 - TRANSMISSION (ORIG. REV. A-D)

NORGE LWL203C TRANSMISSION & RELATED PARTS



ISSUED 11/89

Norge Residential Norge LWL203HC Washer Parts Parts Diagram 12 - TRANSMISSION (ORIG. REV. A-D)
 Click on the part number to view part

Item	Original Part Number	Replaced By	Status	Part Description
1	33-9893	33-7187		Covr Reinforcmt
2	33-9373		Not Available	OIL FILL PLUG
3	25-7916			Bolt
4	33-4286N			Transmission Cover Kit
5	35-2130		Not Available	COUNTER WEIGHT
6	35-1030		Not Available	GASKET, TRANSMISSION HOUSING
7	33-8763	33-4286N		Transmission Cover Kit
8	25-7847			Ring, Retaining
9	25-7416		Not Available	WASHER, FLAT
10	33-6114	33-6463		Spring
11	35-2001			Pinion, Drive
12	33-3195		Not Available	SPRING
13	35-2116		Not Available	DRIVE SHAFT & HUB ASSY
"	LA-2005			Clutch Assembly Kit
14	25-7091			Thrust Washer
15	35-2043			Crank Gear

16	35-2070		Washer, Steel W/Tabs
"	35-2462	35-3825	Washer, Nylon
"	25-7274		Not Available
17	25-7853	25-7933	WASHER, STEEL
18	35-2013	35-0547	Ring, Retaining
19	35-2012		Not Available
20	35-2010	207843	TRANSMISSION HOUSING ASSY
21	35-2111	12001562	Lip Seal Repair Kit
22	35-0628	35-3573	Bearing Assembly
23	35-2059	35-2450	Linkage As
24	35-2205		Housing Assembly, Bearing And Seal
25	25-7849		Bearing, Spin
26	33-7224N		Retaining Ring
27	33-9987		Tub Seal Assembly
28	35-2061		Not Available
29	25-7722	33-4293N	BASKET HUB ASM
30	33-9507	33-9504	Gasket, Tub To Housing
31	25-7120		Gasket Kit
32	25-7848		Locknut
33	33-8718		Set Screw
34	35-0930		Retaining Ring
35	33-6790		Gasket
36	33-4283N		Gasket
37	33-7806N		Bearing, Agitator
38	33-9729		Not Available
39	25-7378		CENTERPOST KIT
40	33-6817		Seal Assembly
41	35-2060		Not Available
42	25-7359		DRIVE BLOCK ASM
43	25-7848		Set Screw
44	25-7057		Stud
45	25-7722	33-4293N	Seal, Tub To Housing
46	25-7316		Screw
			Retaining Ring
			Washer, Flat
			Gasket Kit
			Flat Washer

