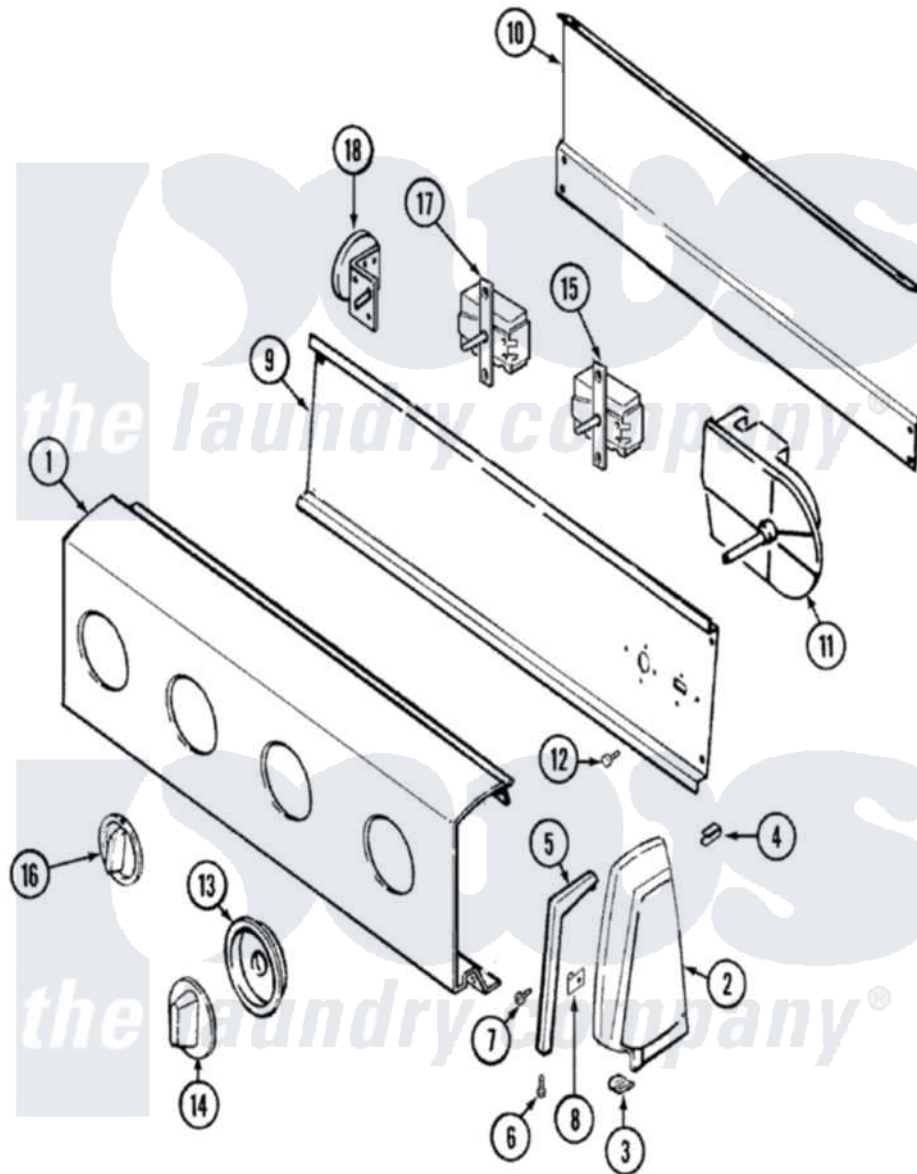


Norge LWL203WC 08 - CONTROL PANEL (REV. P)



Norge Residential Norge LWL203WC Washer Parts Parts Diagram 08 - CONTROL PANEL (REV. P)
 Click on the part number to view part

| Item | Original Part Number | Replaced By | Status | Part Description |
|------|-------------------------|--------------------------|---------------|---|
| 1 | 25-7702 | | | Speedclip, End Cap To Control Panel |
| " | 25-7793 | | | Screw |
| " | 35-3077 | | Not Available | CONTROL PANEL |
| 2 | 35-2488 | 21001452 | | Cap- End |
| " | 35-2487 | 21001451 | | Cap- End |
| 3 | 34-9487 | | Not Available | PLATE, REINFORCEMENT |
| " | 25-7697 | 25-2219 | | Screw |
| " | 25-7851 | | | Speedclip, End Cap To Top |
| 4 | 25-7435 | 33002917 | | Screw, No.10-16 |
| " | 25-7852 | | | Speedclip, Rr Shld To End Cap |
| 5 | 53-0278 | | Not Available | TRIM, END CAP (LT) |
| " | 53-0277 | | Not Available | TRIM, END CAP (RT) |
| 6 | 25-7760 | | | Screw |
| 7 | 25-3092 | 90767 | | Screw, 8A X 3/8 HeX Washer Head Tapping |

| | | | |
|----|-------------------------|--------------------------|---|
| 8 | 25-7702 | | Speedclip, End Cap To Control Panel |
| 9 | 53-1676 | | Shield, Control |
| 10 | 25-7853 | 25-7933 | Ring, Retaining |
| " | 35-2688 | 21001460 | Shield, Rear |
| " | 25-3092 | 90767 | Screw, 8A X 3/8 HeX Washer Head Tapping |
| " | 25-3457 | | Screw, Sems |
| 11 | 35-2211 | Not Available | TIMER |
| 12 | 25-0205 | 216412 | Screw, Bracket To Timer |
| 13 | 35-2255 | 21001497 | Skirt Ri |
| 14 | 35-2188 | 12500058 | Knob Ski |
| 15 | 35-0114 | Not Available | TEMP SWITCH |
| " | 25-3092 | 90767 | Screw, 8A X 3/8 HeX Washer Head Tapping |
| 16 | 35-2186 | Not Available | KNOB, SELECTOR |
| 17 | 25-3092 | 90767 | Screw, 8A X 3/8 HeX Washer Head Tapping |
| " | 35-2193 | Not Available | SWITCH, ROTARY SPEED |
| 18 | 35-3283 | 21001554 | Switch, Water Level |
| " | 25-3092 | 90767 | Screw, 8A X 3/8 HeX Washer Head Tapping |
| 19 | 35-3079 | Not Available | MANUAL, USE & CARE |

