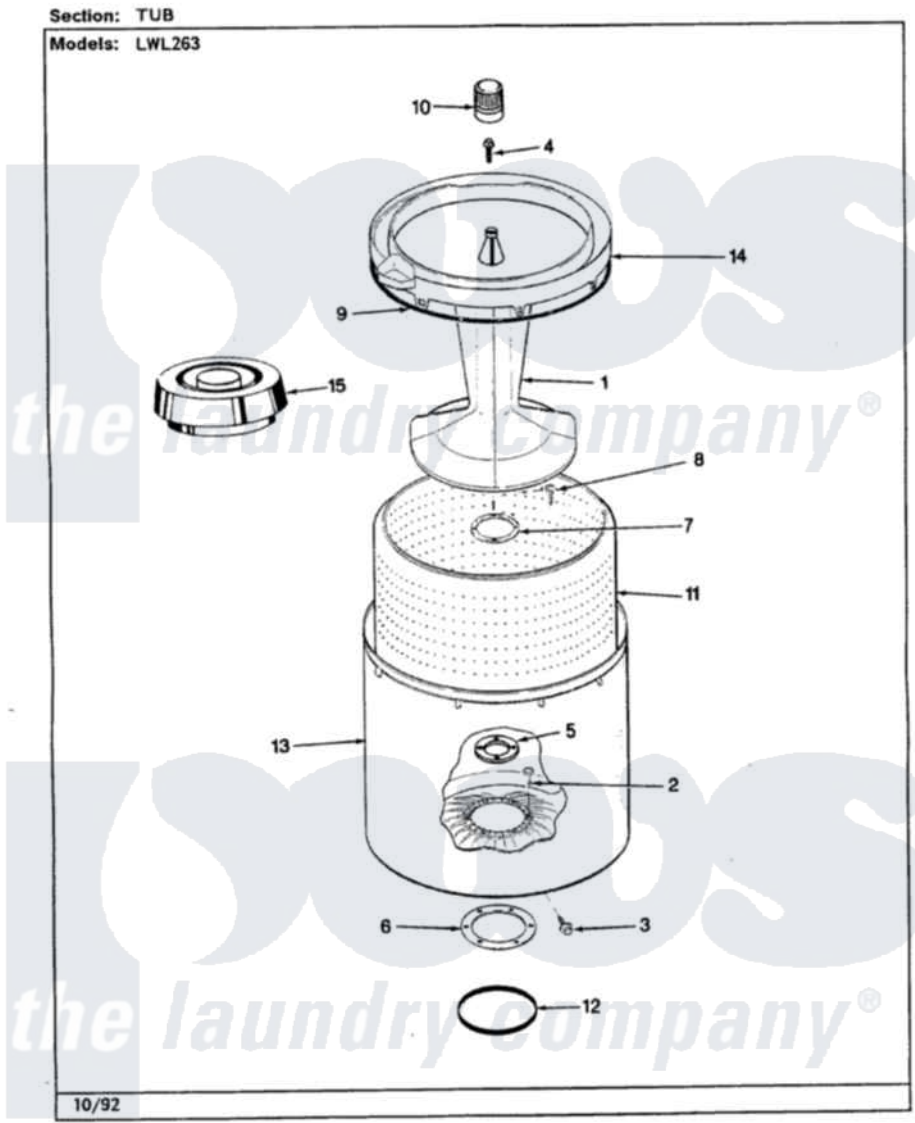


# Norge LWL263H 08 - TUB (REV. G-L)



Norge Residential Norge LWL263H Washer Parts Parts Diagram 08 - TUB (REV. G-L)  
Click on the part number to view part

| Item | Original Part Number    | Replaced By               | Status        | Part Description                 |
|------|-------------------------|---------------------------|---------------|----------------------------------|
| 1    | <a href="#">35-3580</a> |                           |               | Agitator                         |
| "    | 35-2717                 | <a href="#">35-3580</a>   |               | Agitator                         |
| 2    | 25-7947                 | <a href="#">21001063</a>  |               | Screw, Shoulder                  |
| 3    | 25-7953                 | <a href="#">22002933</a>  |               | Screw                            |
| 4    | 25-7948                 | <a href="#">W10309247</a> |               | Screw                            |
| 5    | <a href="#">35-3685</a> |                           |               | Gasket, Basket To Centerpost     |
| "    | 35-2980                 | <a href="#">35-3685</a>   |               | Gasket, Basket To Centerpost     |
| 6    | <a href="#">35-3686</a> |                           |               | Gasket, Tub To Housing           |
| "    | <a href="#">35-2979</a> |                           |               | Gasket, Tub/Hsg                  |
| 7    | <a href="#">35-3014</a> |                           |               | Gasket And Reinf. Plate Assembly |
| 8    | 25-7783                 | <a href="#">4356852</a>   |               | Screw                            |
| 9    | <a href="#">35-2328</a> |                           |               | Seal, Tub Top                    |
| 10   | <a href="#">35-2733</a> |                           |               | Cap, Agitator                    |
| 11   | 35-3016                 |                           | Not Available | BASKET ASSY                      |
| 12   | <a href="#">35-2978</a> |                           |               | Seal, Tub/Housing                |
| 13   | <a href="#">35-3700</a> |                           |               | Tub Assembly                     |

|    |                         |                         |                  |
|----|-------------------------|-------------------------|------------------|
| "  | 35-2952                 | <a href="#">35-3700</a> | Tub Assembly     |
| 14 | 35-2262                 | Not Available           | SHIELD, TUB TOP  |
| "  | 35-2034                 | Not Available           | TOP, TUB         |
| "  | 35-3578                 | Not Available           | TOP, TUB         |
| 15 | <a href="#">35-2550</a> |                         | Dispenser, Rinse |

