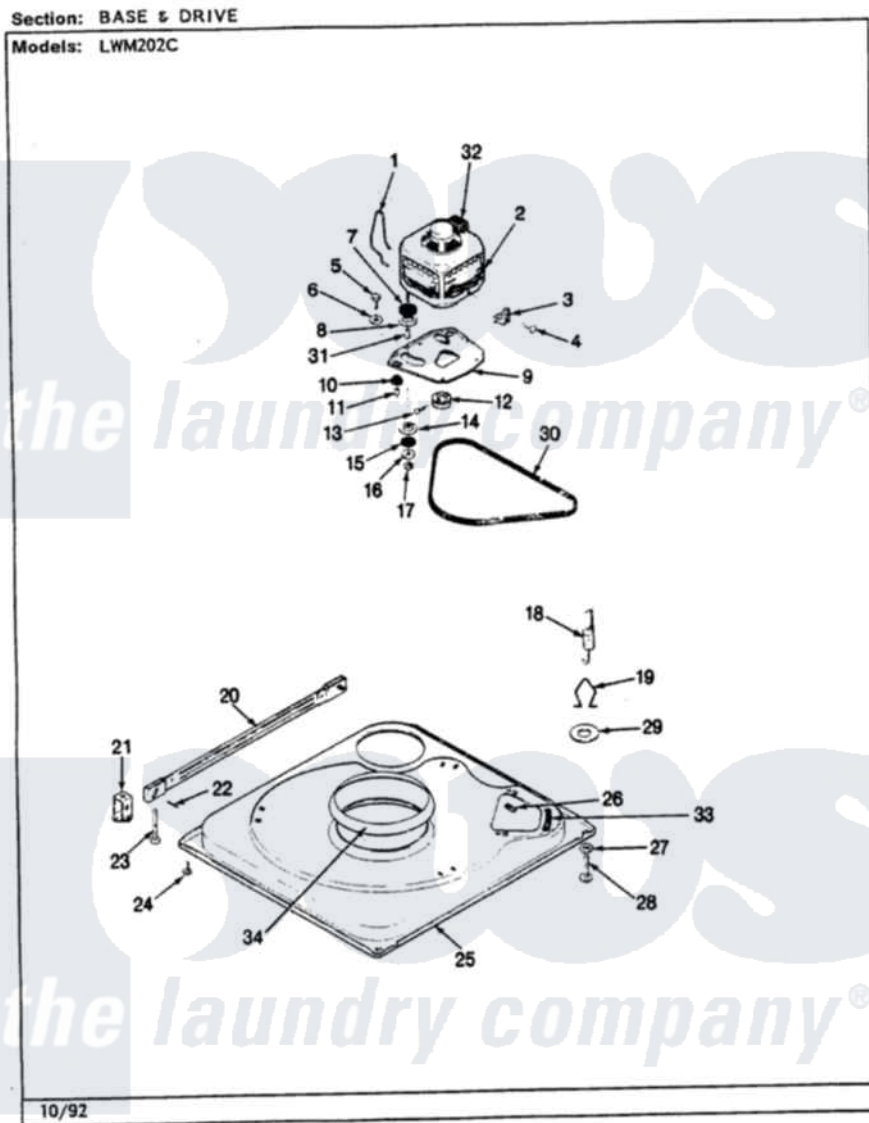


# Norge LWM202HC 03 - BASE & DRIVE (REV. K)



Norge [Residential Norge LWM202HC Washer Parts](#) Parts Diagram 03 - BASE & DRIVE (REV. K)  
Click on the part number to view part

Item	Original Part Number	Replaced By	Status	Part Description
1	<a href="#">35-0235</a>			Spring, Motor Pivot
2	LA-2002		Not Available	MOTOR KIT
"	35-2030		Not Available	MOTOR
3	<a href="#">33-9945</a>			Slide, Foot
4	25-7418	<a href="#">33001178</a>		Back, Tumbler
5	25-7833	<a href="#">21001977</a>		Screw
6	<a href="#">25-7834</a>			Washer, Motor/Base Screw
7	<a href="#">33-9946</a>			Isolator, Motor
8	33-9944	<a href="#">35-3570</a>		Washer, Motor Pivot
9	35-2810	<a href="#">21001783</a>		Plate And Screw Assembly
10	33-9941	<a href="#">35-3646</a>		Isolator, Motor Plate
11	<a href="#">25-7831</a>			Spacer, Mounting
12	35-2124	<a href="#">W10143344</a>		Pulley
13	<a href="#">25-7117</a>			Set Screw
14	33-9943	<a href="#">35-3571</a>		Slide, Motor Pivot
15	<a href="#">33-9967</a>			Washer, Motor Isolator

16	<a href="#">25-7047</a>		Washer, Flat
17	25-7325	<a href="#">Y707702</a>	Locknut
18	<a href="#">35-3658</a>		Spring, Suspension
19	35-2976	Not Available	HOOK, SUSPENSION SPRING
20	35-2049	<a href="#">21001881</a>	Bar, Stabilizer
21	<a href="#">35-2046</a>		Bracket, Stabilizer
22	<a href="#">35-2052</a>		Pin, Stabilizer
23	35-2050	<a href="#">22004469</a>	Leg And Foot Self Stabalizing
24	25-7828	<a href="#">489483</a>	Screw 10-32 X 1/2
"	35-2039	Not Available	PAD, FOOT
25	35-2984	Not Available	BASE
26	25-7838	<a href="#">25-7845</a>	Speednut, Motor
27	<a href="#">25-7915</a>		Hex Nut
28	35-0772	<a href="#">25001119</a>	Foot And Pad Assembly
"	35-0837	<a href="#">25001119</a>	Foot And Pad Assembly
29	<a href="#">Y25-7951</a>		Washer, Suspension Hook
30	35-2320	<a href="#">21352320</a>	Belt, Drive
31	<a href="#">25-7830</a>		Spacer
32	<a href="#">33-9765</a>		Switch, Motor
33	<a href="#">35-2065</a>		Pad, Motor Plate
34	35-2357	<a href="#">21002026</a>	Snubber

