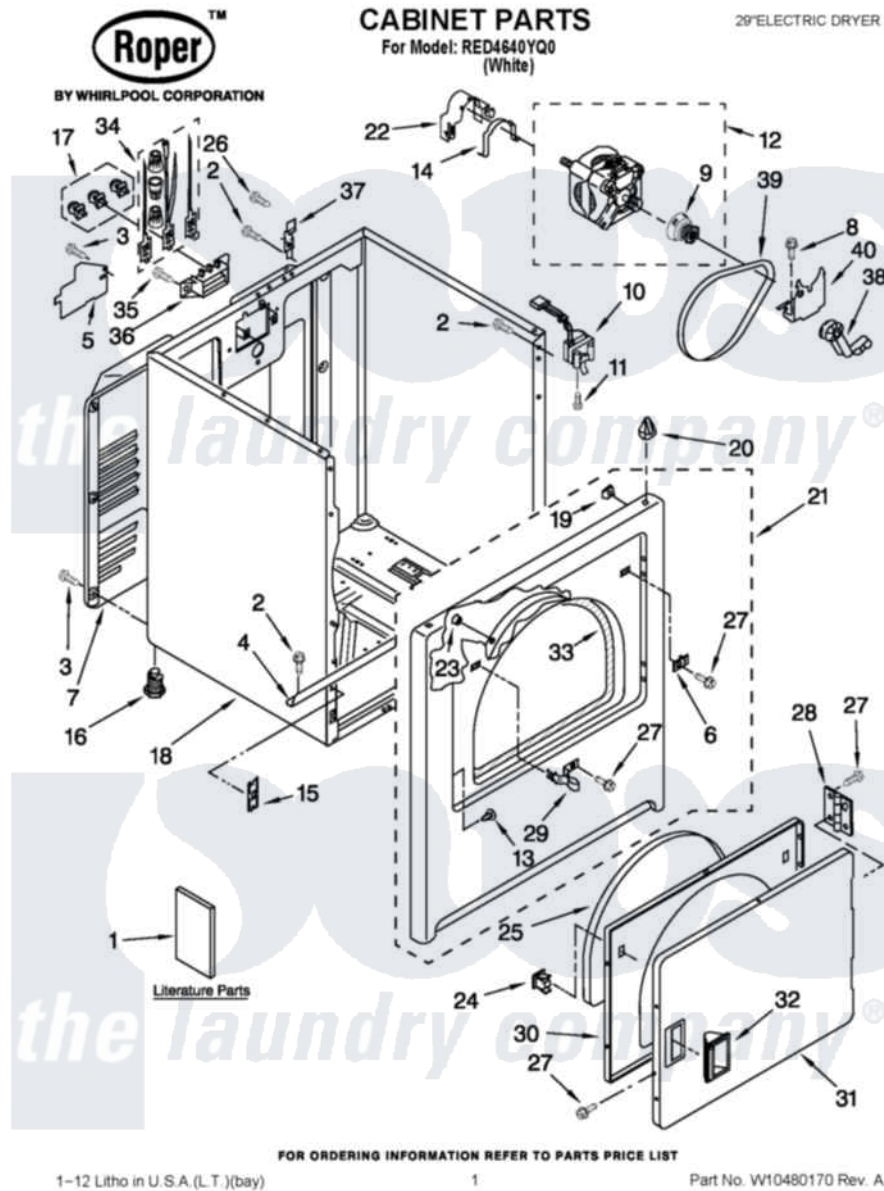


Roper RED4640YQ0 01 - CABINET PARTS



1-12 Litho in U.S.A. (L.T.)(bay)

1

Part No. W10480170 Rev. A

Roper [Residential Roper RED4640YQ0 Dryer Parts](#) Parts Diagram 01 - CABINET PARTS

[Click on the part number to view part](#)

Item	Original Part Number	Replaced By	Status	Part Description
1	W10096987		Not Available	INSTRUCTIONS, INSTALLATION
"	W10096991		Not Available	GUIDE, USE & CARE
"	W10185989		Not Available	WIRING DIAGRAM
2	343641	681414		Screw, 10AB X 1/2
3	693995			Screw, Hex Head
4	W10236073			Bracket, Cabinet
5	3396795			Cover, Terminal Block
6	3403630			Plug, Strike Hole
7	3396805	280043		Panel-Rear
8	3400500			Bolt, 3405245 5/16-18 X 3/4
9	8066184			Pulley, Motor
10	3406109	3406107		Door Switch Assembly
11	697773	3395530		Screw
12	W10194250	279827		Motor-Drive
13	3404413			Plug, Hinge Hole
14	W10121316			Plug, Multivent

15	3394083		Clip, Front Panel
16	3392100	49621	Feet-Leveling
NI	279810		Foot-Optional
17	279318		Terminal Tinned And Brass Panel
18	8530603	8533643	Cabinet
19	98234		Clip, U-Bend
20	8066092		Lock, Front Top
21	W10224853		Front Panel Assembly
22	3404162		Clamp, Motor
23	685203	279220	Clip
24	3389441		Door Catch Assembly
25	3405246		Seal, Door Push-To-Start
26	3390631		Screw, 10-16 X 3/8
27	342055	488627	Screw
28	W10362431		Hinge And Pin Assembly
29	3403431		Strike, Panel
30	3402341		Door, Inner
31	3402335		Door, Front
32	3405184		Handle, Door
33	3406129		Seal And Bearing Assembly
34	279393		Terminal Block Screw Kit
35	3393008	308685	Side Trim)
36	3397659		Block, Terminal
37	8066217		Hinge, Top
38	691362		Idler Pulley And Bearing Assembly
39	W10131364	341241	Belt
40	348780		Base, Motor

