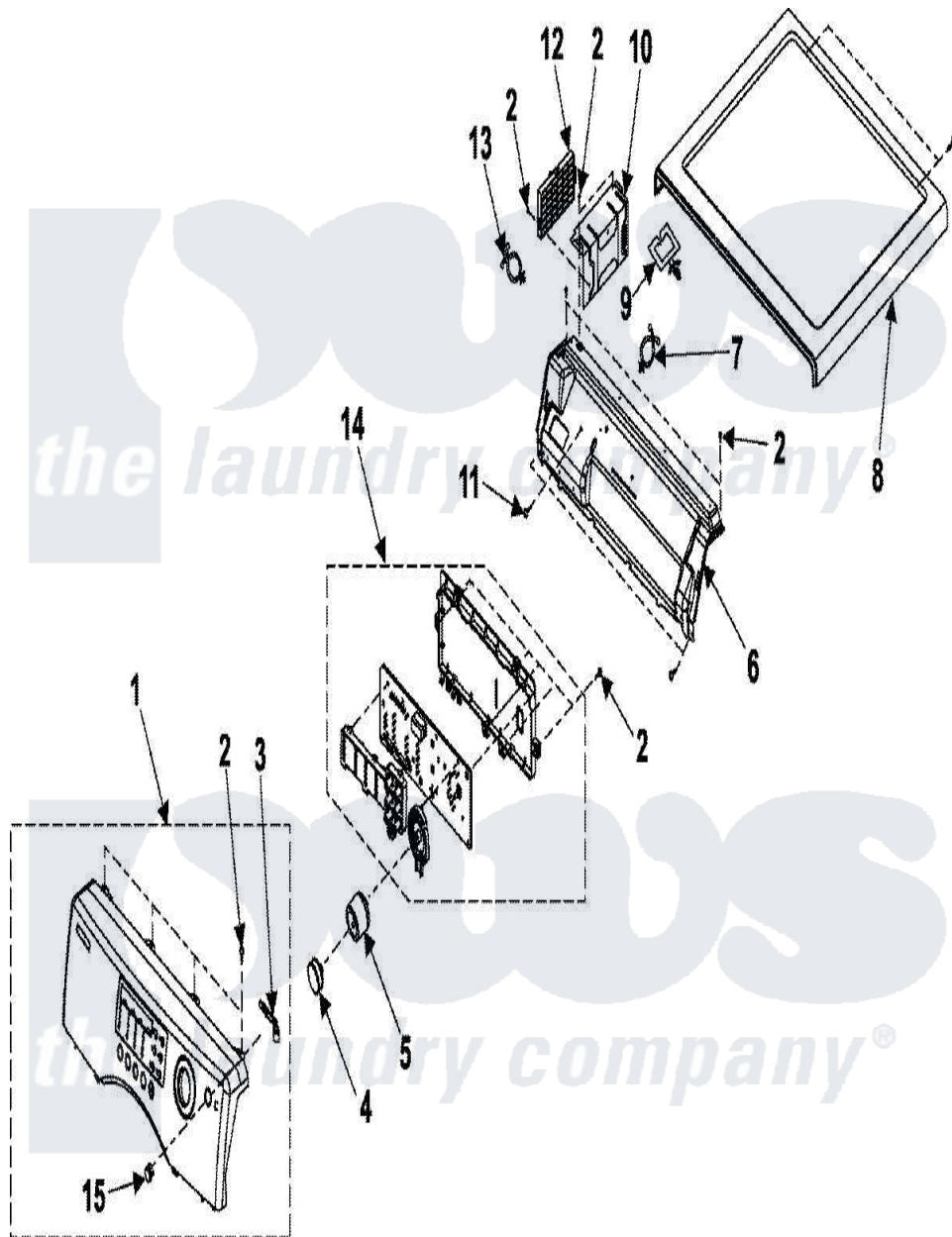


Samsung DV316BEW/XAA 03 - CONTROL PANEL



Samsung [Residential Samsung DV316BEW/XAA Dryer Parts](#) Parts Diagram 03 - CONTROL PANEL
 Click on the part number to view part

| Item | Original Part Number | Replaced By | Status | Part Description |
|------|-----------------------------|--------------------------|---------------|--|
| 1 | DC97-10866A | | Not Available | ASSY-S.PANEL CONTROL |
| 2 | 6002-000231 | | Not Available | Screw-Tapping (5) |
| 3 | DC66-00413A | 34001419 | | Lever, Power |
| 4 | DC64-01132A | | Not Available | BUTTON-ENCODER |
| 5 | DC64-01084A | | Not Available | KNOB-ENCODER(1);K4-PJT,ABS,-,- |
| " | DC97-10511A | | | Assembly-Knob Encoder |
| 6 | Y00000000 | | Not Available | SEE NOTE FRAME-PLATE CURRENTLY UNAVAILABLE |
| 7 | DC61-40081A | M0585401 | | Tie, Wire |
| 8 | DC63-00523A | 35001163 | | Cover-Top Lu |
| 9 | DC61-60074A | 35001171 | | Clamber-Wire Saddle |
| 10 | DC61-01229A | 35001168 | | Bracket, Control Board |
| 11 | 6006-001170 | | | Screw-Tapping |
| 12 | MFS-FTDT-00 | | Not Available | ASSY PCB PARTS(M) |
| 13 | 6502-000127 | | Not Available | CABLE CLAMP |
| 14 | YMFSF12DBS0 | | Not Available | ASSY PCB PARTS(S) |

