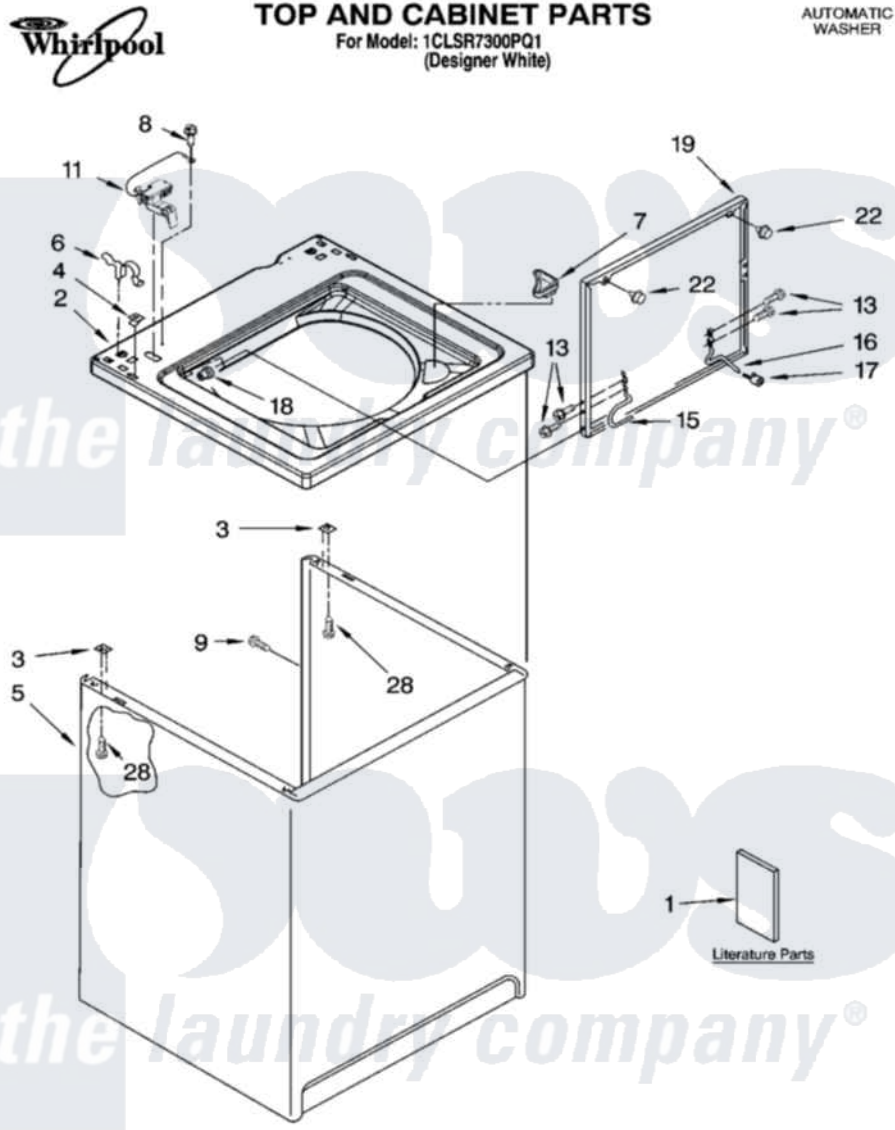


# Whirlpool 1CLSR7300PQ1 01 - TOP AND CABINET PARTS



10-05 Litho in U.S.A. (dtd)

1

Part No. 8180851

Whirlpool Residential Whirlpool 1CLSR7300PQ1 Washer Parts Parts Diagram 01 - TOP AND CABINET PARTS  
 Click on the part number to view part

Item	Original Part Number	Replaced By	Status	Part Description
1	3958075		Not Available	Installation Instructions
"	3955901		Not Available	Feature Sheet
"	8578232		Not Available	Use & Care Guide
"	8546687		Not Available	Wiring Diagram
"	3957472		Not Available	Energy Guide
"	N/A		Not Available	Following May Be Purchased
"	N/A		Not Available	DO-IT-YOURSELF REPAIR MANUALS
"	<a href="#">4313896</a>			Do-It-Yourself Repair Manuals
2	<a href="#">8318064</a>			Top
3	62750			Spacer, Cabinet To Top (4)
4	<a href="#">357213</a>			Nut, Push-In
5	<a href="#">63424</a>			Cabinet
6	<a href="#">62780</a>			Clip, Top And Cabinet And Rear Panel
7	<a href="#">3362952</a>			Dispenser, Bleach
8	<a href="#">3351611</a>			Screw, Gearcase Cover

8	<a href="#">3351014</a>		Mounting
9	3357011	<a href="#">308685</a>	Side Trim )
11	<a href="#">8318084</a>		Switch, Lid
13	3351355	<a href="#">W10119828</a>	Screw, Lid Hinge Mounting
15	<a href="#">8318088</a>		Hinge, Lid
16	<a href="#">54583</a>		Hinge, Lid
17	<a href="#">19119</a>		Bumper, Lid Hinge
18	<a href="#">21258</a>		Bearing, Lid Hinge
19	8542387	<a href="#">W10193857</a>	Lid
22	<a href="#">9724509</a>		Bumper, Lid
28	<a href="#">3390631</a>		Screw, 10-16 X 3/8

