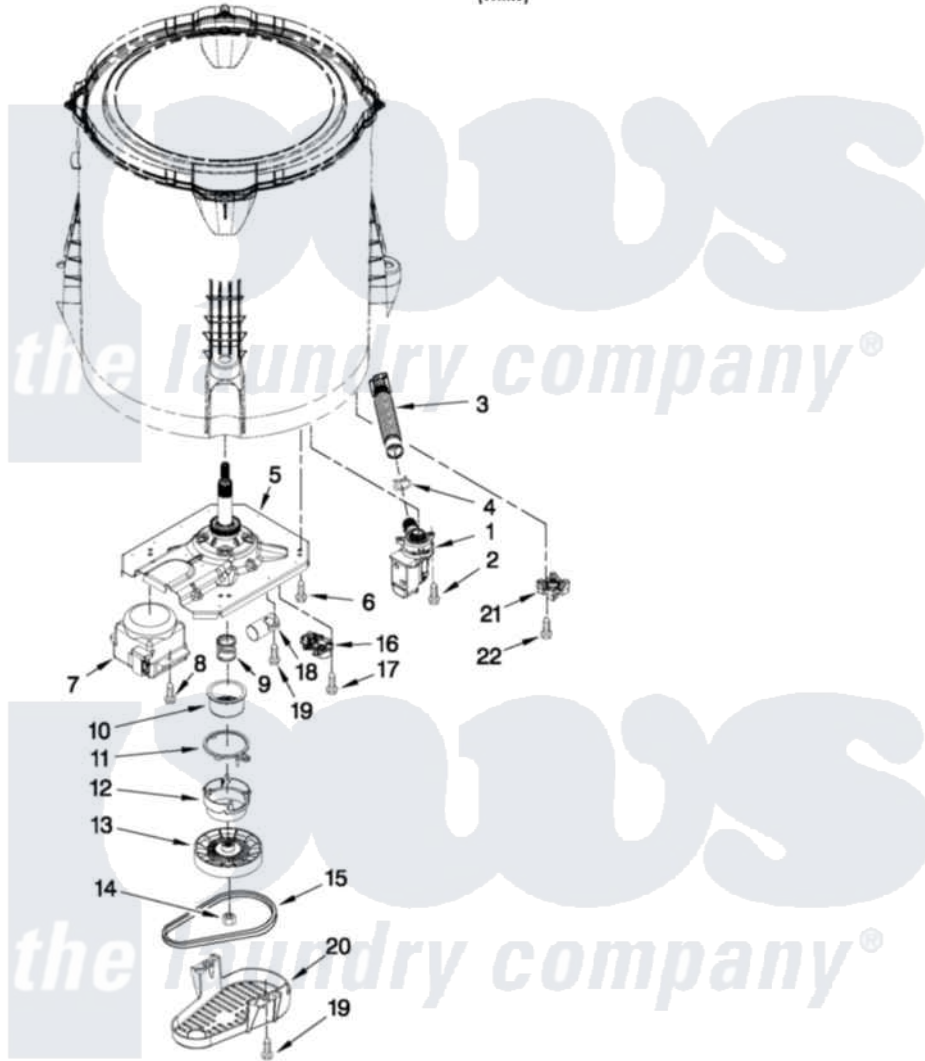


Whirlpool 1CWTW4840YW0 04 - GEARCASE, MOTOR AND PUMP PARTS

GEARCASE, MOTOR AND PUMP PARTS

For Model: 1CWTW4840YW0
(White)



W10444609

FOR ORDERING INFORMATION REFER TO PARTS PRICE LIST

7

Whirlpool [Residential Whirlpool 1CWTW4840YW0 Washer Parts](#) Parts Diagram 04 - GEARCASE, MOTOR AND PUMP PARTS

[Click on the part number to view part](#)

| Item | Original Part Number | Replaced By | Status | Part Description |
|------|---------------------------|---------------------------|--------|----------------------------|
| 1 | W10276397 | | | Pump Assembly, Drain |
| 2 | W10004910 | | | Screw, 12-16 X 1-1/4 |
| 3 | W10215091 | | | Hose, Inner Drain Assembly |
| 4 | 8317496 | 285655 | | Clamp, Hose |
| 5 | W10006378 | W10473144 | | Gearcase Assembly |
| 6 | W10249633 | | | Screw, 7.2-1.6 X 30 |
| 7 | W10006415 | | | Motor, Drive |
| 8 | W10094780 | W10182109 | | Screw-Kit |
| 9 | W10006382 | W10315818 | | Cam |
| 10 | W10006352 | W10315818 | | Cam |
| 11 | W10006353 | W10315818 | | Cam |
| 12 | W10006354 | W10315818 | | Cam |
| 13 | W10006356 | | | Pulley |
| 14 | W10163336 | | | Nut, Pulley |
| 15 | W10006384 | | | Belt, Drive |
| 16 | W10006355 | | | Actuator, Shift |

| | | |
|----|---------------------------|----------------------|
| 17 | 9741052 | Screw, 6-32 X 1.00 |
| 18 | W10278556 | Capacitor, Motor Run |
| 19 | 357640 | Screw And Washer |
| 20 | W10006383 | Shield, Pulley Cover |
| 21 | W10238318 | Counterweight |
| 22 | W10238319 | Screw, 8-18 X 1.00 |

