

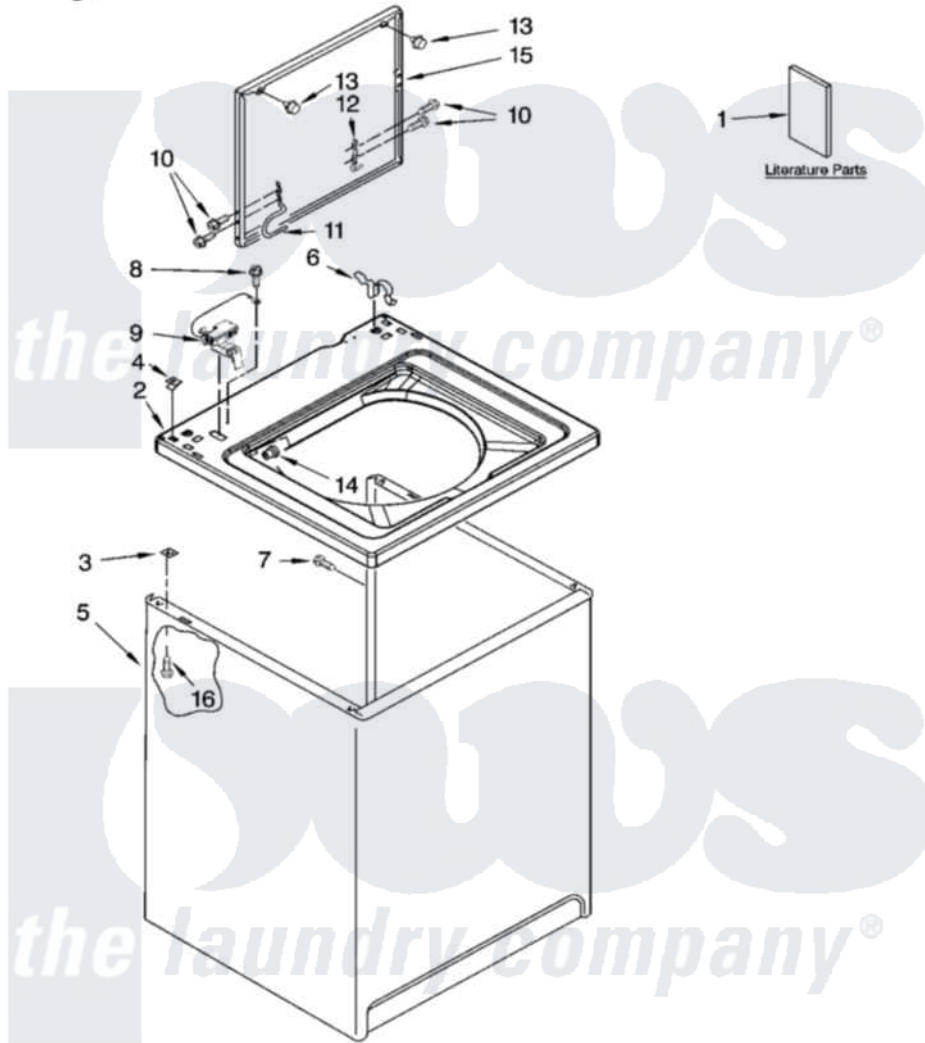
# Whirlpool 1CWTW5590SQ0 01 - TOP AND CABINET PARTS



## TOP AND CABINET PARTS

For Models: 1CWTW5590SQ0, 1CWTW5590ST0  
(White) (Biscuit)

AUTOMATIC  
WASHER



2-07 Litho in U.S.A. (drd)

1

Part No. W10122091 Rev. A

Whirlpool [Residential Whirlpool 1CWTW5590SQ0 Washer Parts](#) Parts Diagram 01 - TOP AND CABINET PARTS

[Click on the part number to view part](#)

Item	Original Part Number	Replaced By	Status	Part Description
1	<a href="#">W10044800</a>			Installation Instructions
"	3957874		Not Available	Feature Sheet
"	<a href="#">3955884</a>			Use And Care Guide
"	W10023791		Not Available	Energy Guide
"	8578912		Not Available	Wiring Diagram
2	<a href="#">8318068</a>			Top
"	<a href="#">8318070</a>			Top
3	62750			Spacer, Cabinet To Top (4)
4	<a href="#">357213</a>			Nut, Push-In
5	<a href="#">63424</a>			Cabinet
"	<a href="#">3954357</a>			Cabinet
6	<a href="#">62780</a>			Clip, Top And Cabinet And Rear Panel
7	3357011	<a href="#">308685</a>		Side Trim )
8	<a href="#">3351614</a>			Screw, Gearcase Cover Mounting
9	<a href="#">8318084</a>			Switch, Lid

10	W10119872	<a href="#">W10119828</a>	Screw, Lid Hinge Mounting
11	<a href="#">8318088</a>		Hinge, Lid
12	<a href="#">91770</a>		Hinge, Lid
13	<a href="#">9724509</a>		Bumper, Lid
14	<a href="#">21258</a>		Bearing, Lid Hinge
15	8580061	<a href="#">W1019385Z</a>	Lid
"	8580062	<a href="#">3957619</a>	Lid
16	<a href="#">3390631</a>		Screw, 10-16 X 3/8

