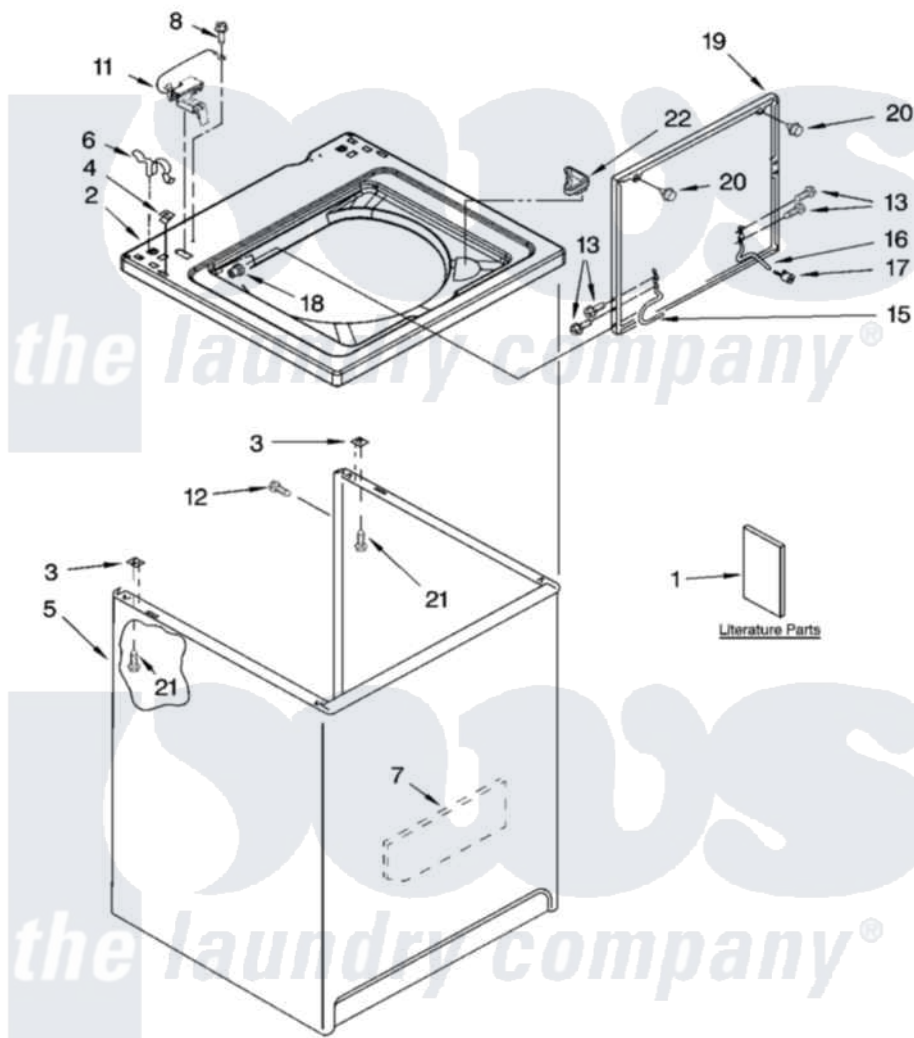


# Whirlpool 2DLSQ7533JQ5 01 - TOP AND CABINET PARTS

## TOP AND CABINET PARTS

For Model: 2DLSQ7533JQ5  
(Designer White)



8316574

2

Whirlpool [Residential Whirlpool 2DLSQ7533JQ5 Washer Parts](#) Parts Diagram 01 - TOP AND CABINET PARTS

[Click on the part number to view part](#)

Item	Original Part Number	Replaced By	Status	Part Description
1	8316567		Not Available	Installation Instructions
"	8539782		Not Available	Use & Care Guide
"	8543821		Not Available	Wiring Diagram
"	8316574		Not Available	Repair Parts List
2	<a href="#">8318064</a>			Top
3	62750			Spacer, Cabinet To Top (4)
4	<a href="#">357213</a>			Nut, Push-In
5	<a href="#">63424</a>			Cabinet
6	<a href="#">62780</a>			Clip, Top And Cabinet And Rear Panel
7	<a href="#">3976348</a>			Absorber, Sound
8	<a href="#">3351614</a>			Screw, Gearcase Cover Mounting
11	<a href="#">8318084</a>			Switch, Lid
12	3357011	<a href="#">308685</a>		Side Trim )
13	3351355	<a href="#">W10119828</a>		Screw, Lid Hinge Mounting
15	<a href="#">8318088</a>			Hinge, Lid

16	<a href="#">54583</a>		Hinge, Lid
17	<a href="#">19119</a>		Bumper, Lid Hinge
18	<a href="#">21258</a>		Bearing, Lid Hinge
19	8542387	<a href="#">W1019385Z</a>	Lid
20	<a href="#">9724509</a>		Bumper, Lid
21	<a href="#">3390631</a>		Screw, 10-16 X 3/8
22	<a href="#">3362952</a>		Dispenser, Bleach

