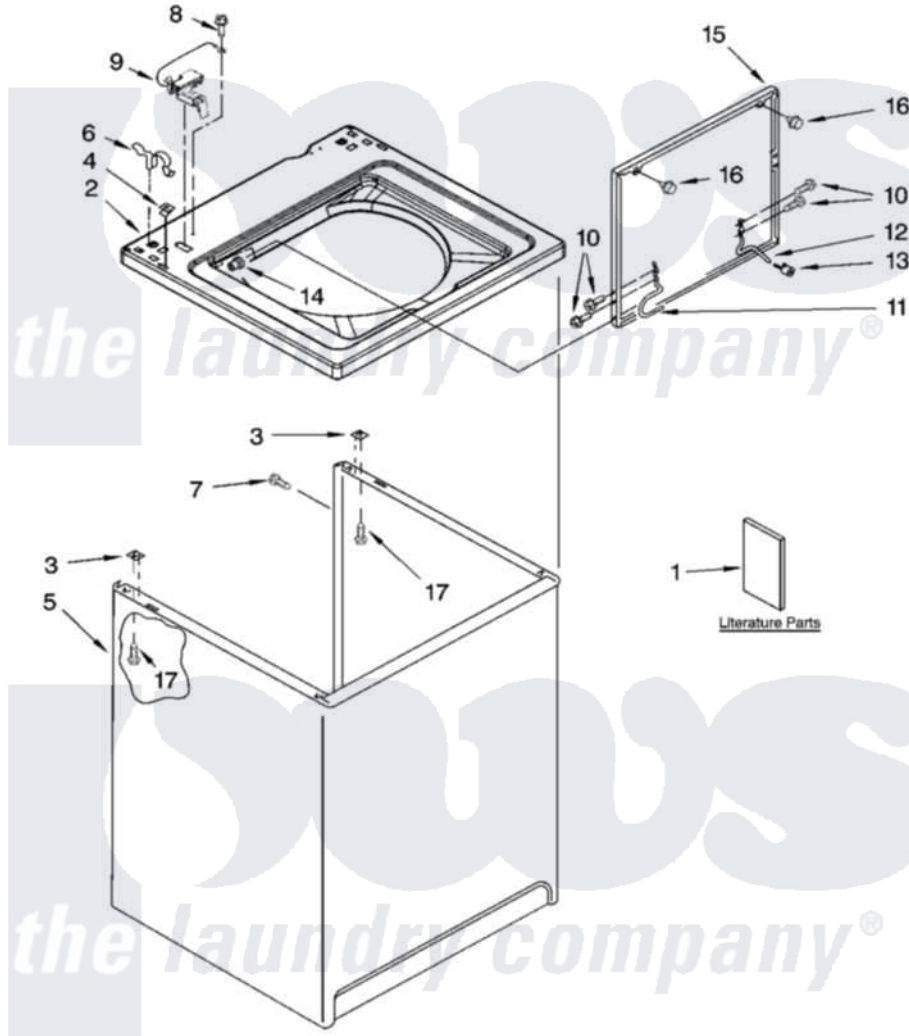


Whirlpool 2DWTW5305SQ0 01 - TOP AND CABINET PARTS

TOP AND CABINET PARTS

For Model: 2DWTW5305SQ0
(White)



W10096440

2

Whirlpool [Residential Whirlpool 2DWTW5305SQ0 Washer Parts](#) Parts Diagram 01 - TOP AND CABINET PARTS
Click on the part number to view part

| Item | Original Part Number | Replaced By | Status | Part Description |
|------|-------------------------|---------------------------|---------------|--------------------------------------|
| 1 | W10038110 | | Not Available | Installation Instructions |
| " | W10096530 | | Not Available | Feature Sheet |
| " | W10096500 | | Not Available | Use & Care Guide |
| " | 8542738 | | Not Available | Wiring Diagram |
| " | W10096440 | | Not Available | Repair Parts List |
| 2 | 8318068 | | | Top |
| 3 | 62750 | | | Spacer, Cabinet To Top (4) |
| 4 | 357213 | | | Nut, Push-In |
| 5 | 63424 | | | Cabinet |
| 6 | 62780 | | | Clip, Top And Cabinet And Rear Panel |
| 7 | 3357011 | 308685 | | Side Trim) |
| 8 | 3351614 | | | Screw, Gearcase Cover Mounting |
| 9 | 8318084 | | | Switch, Lid |
| 10 | 3351355 | W10119828 | | Screw, Lid Hinge Mounting |
| 11 | 8318088 | | | Hinge, Lid |

| | | | |
|----|-------------------------|---------------------------|--------------------|
| 12 | 54583 | | Hinge, Lid |
| 13 | 19119 | | Bumper, Lid Hinge |
| 14 | 21258 | | Bearing, Lid Hinge |
| 15 | 8542383 | W1019385Z | Lid |
| 16 | 9724509 | | Bumper, Lid |
| 17 | 3390631 | | Screw, 10-16 X 3/8 |

