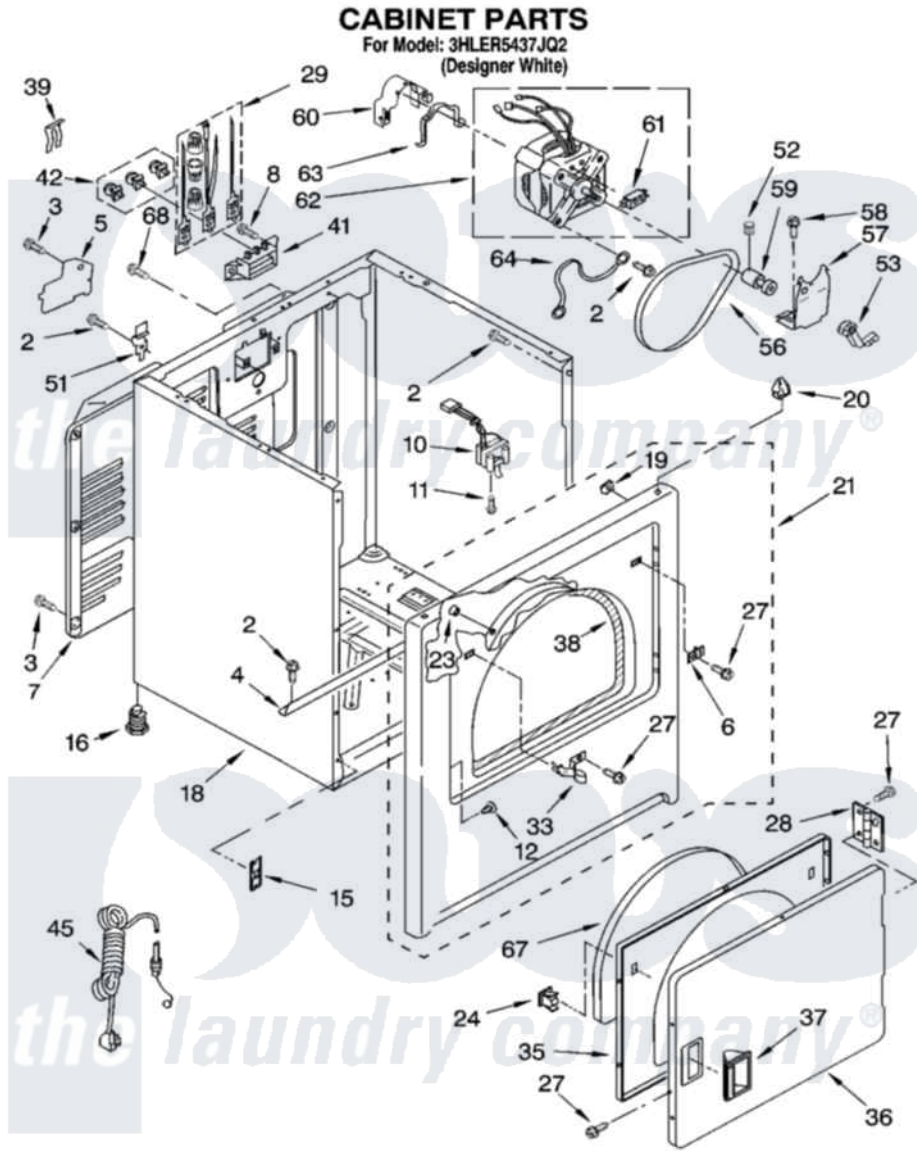


Whirlpool 3HLER5437JQ2 02 - CABINET PARTS



8180226

3

Whirlpool [Residential Whirlpool 3HLER5437JQ2 Dryer Parts](#) Parts Diagram 02 - CABINET PARTS
Click on the part number to view part

Item	Original Part Number	Replaced By	Status	Part Description
2	343641	681414		Screw, 10AB X 1/2
3	693995			Screw, Hex Head
4	8541400			Bracket, Cabinet
5	3396795			Cover, Terminal Block
6	3403630			Plug, Strike Hole
7	3396805	280043		Panel-Rear
8	3393008	308685		Side Trim)
10	3406109	3406107		Door Switch Assembly
11	697773	3395530		Screw
12	3404413			Plug, Hinge Hole
15	3394083			Clip, Front Panel
16	3392100	49621		Feet-Leveling
18	8530603	8533643		Cabinet
19	98234			Clip, U-Bend
20	690363	18776		Lock, Front Top
21	3403444	279852		Panel

23	685203	279220	Clip
24	690081	279570	Latch
27	342055	488627	Screw
28	3405514	W10362431	Hinge And Pin Assembly
29	279318		Terminal Tinned And Brass Panel
33	3403431		Strike, Panel
35	3402341		Door, Inner
36	3402335		Door, Front
37	3405184		Handle, Door
38	3406129		Seal And Bearing Assembly
39	694415		Clip, Strain Relief
41	3397659		Block, Terminal
42	279393		Terminal Block Screw Kit
45	3387258	W10111542	Cord, Power
51	238088	8066217	Hinge, Top
52	690046	Not Available	SCREW, SET 1/4 - 28 X 3/8
53	691366		Idler And Pulley Assembly
56	8066065	341241	Belt
57	348780		Base, Motor
58	3400500		Bolt, 3405245 5/16-18 X 3/4
59	685064		Pulley, 50 Hz
60	3404162		Clamp, Motor
61	3388235		Switch, Centrifugal
62	685815	W10416572	Motor-Drve
63	660658		Clamp, Motor Mounting 343481 685441
64	690236		Wire, Ground
67	3405246		Seal, Door Push-To-Start
68	697776	4331106	Screw, No.10-32 X 7/16

