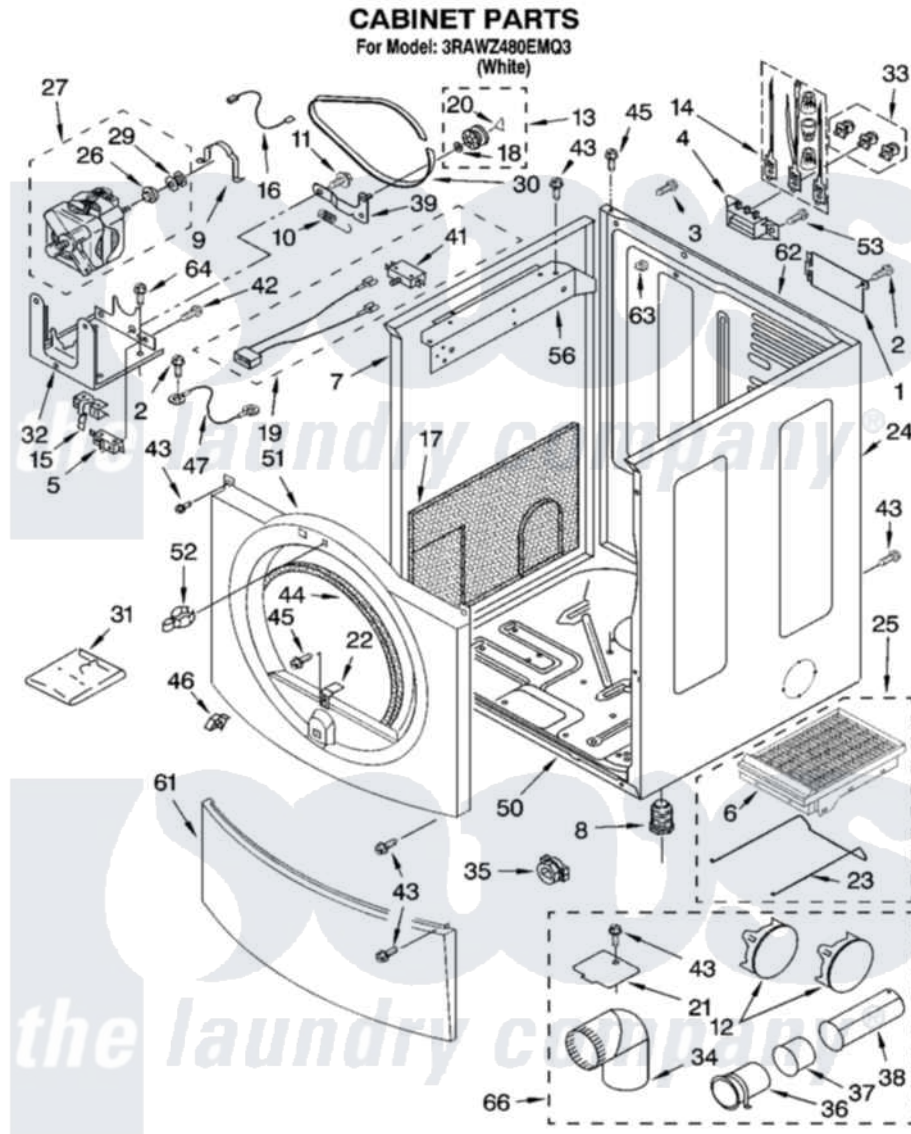


Whirlpool 3RAWZ480EMQ3 02 - CABINET PARTS



8180750

3

Whirlpool [Residential Whirlpool 3RAWZ480EMQ3 Dryer Parts](#) Parts Diagram 02 - CABINET PARTS
Click on the part number to view part

Item	Original Part Number	Replaced By	Status	Part Description
1	8317342	W10119283		Cover, Terminal Block
2	98139	303776		Screw
3	697776	4331106		Screw, No.10-32 X 7/16
4	3397659			Block, Terminal
5	8318457			Switch, Broken Belt
6	8521947	W10139360A		Rack-Dry
7	8578437	W10117272		Panel
8	3392100	49621		Feet-Leveling
"	279810			Foot-Optional
9	660658			Clamp, Motor Mounting 343481 685441
10	3387374			Spring, Idler
11	3389420			Retainer-Idler 1/4-20 X 1/16
12	697750	W10470674		Dryer Exhaust Kit
13	3388672	279640		Pulley-ldr
14	279318			Terminal Tinned And Brass Panel

15	8066120		Lever, Door Switch
16	3394081		Wire, Broken Belt Switch
17	8564132	8564134	Board, Sound Dampening
18	233520		Washer, Thrust
19	8543119		Jumper, Door Switch
20	690997		Washer, Thrust
21	8066115	3394331	Plate Cover
22	8529053		Ramp, Door Door Switch
23	8521961		Support, Dry Rack
24	8578450	W10117273	Panel
25	8521950	W10139360A	Rack-Dry
26	3393657		Restrainer, Belt
27	3404470	W10416573	Motor-Drve
29	3402548		Pulley 50 Hz
30	3387610	661570	Belt
31	8541503		Kit, Stack Assembly
32	3387118		Bracket, Motor
33	279393		Terminal Block Screw Kit
34	49026		4" - 90° Elbow
35	8316644		Power Cord, Strain Relief
36	3395532		Exhaust Pipe And Bracket
37	3395534		Exhaust Pipe
38	3395535	8563749	Exhaust Pipe
39	3388674	W10118756	Idler Bracket
41	8541808		Switch, Door
42	3400934		Assembly, Screw And Insulator
43	3390647	488729	Screw
44	3387242		Seal, Front Panel
45	3393008	308685	Side Trim)
46	8519459		Clip, Toe Panel
47	340025	687133	Wire
50	8519207		Base, Cabinet
51	8562162	280089	Panel
52	696144	279570	Latch
53	90767		Screw, 8A X 3/8 HeX Washer Head Tapping
56	8519273	W10119274	Bracket, Control
61	8519233		Toe, Panel
62	8543118	280037	Panel-Rear
63	692400		Nut, Push-In
64	3400097		Screw, 10-24 X 3/8
"	BLANK		Not Available
66	279818	W10470674	Dryer Exhaust Kit