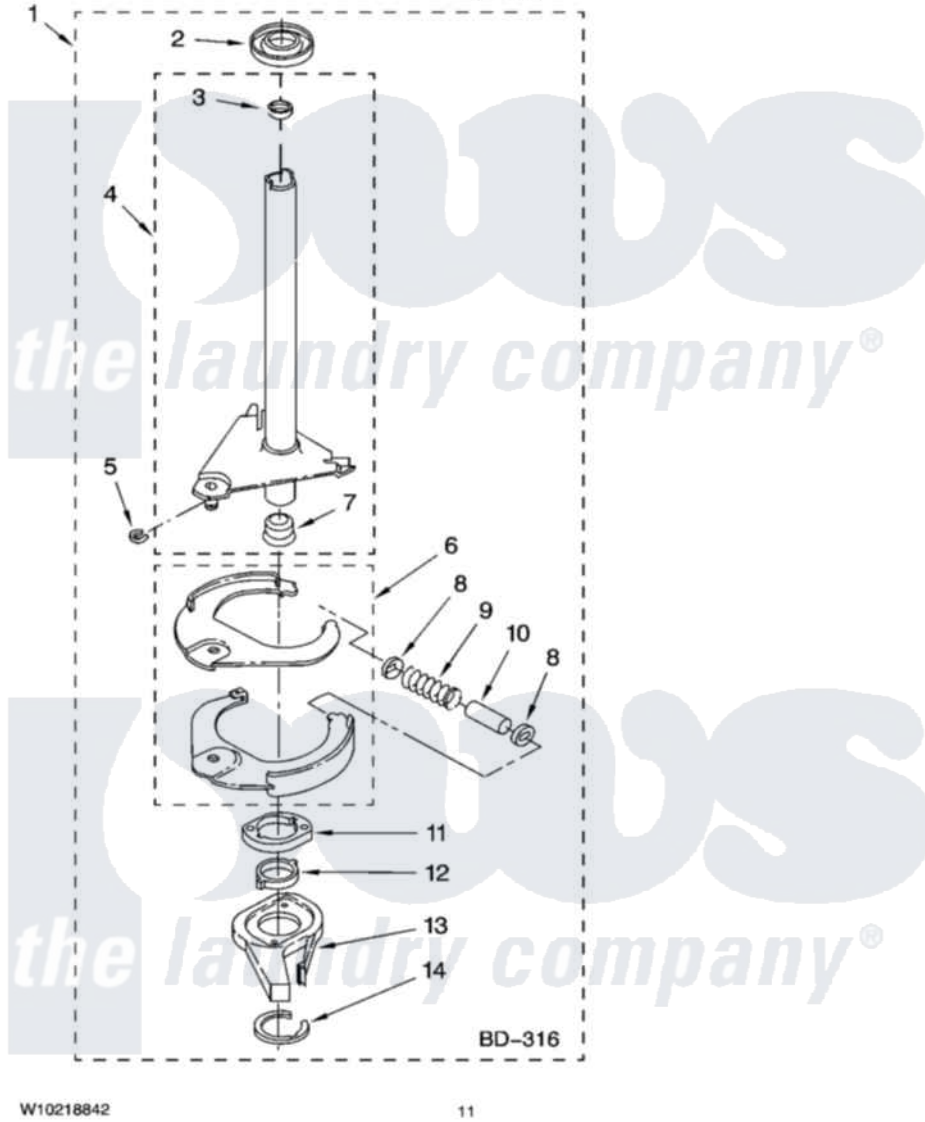


Whirlpool 3RGSC9400SL1 07 - BRAKE AND DRIVE TUBE PARTS

BRAKE AND DRIVE TUBE PARTS

For Model: 3RGSC9400SL1
(Pewter)



W10218842

11

Whirlpool Residential Whirlpool 3RGSC9400SL1 Washer Parts Parts Diagram 07 - BRAKE AND DRIVE TUBE PARTS
Click on the part number to view part

| Item | Original Part Number | Replaced By | Status | Part Description |
|------|---------------------------|------------------------|---------------|---------------------------------|
| 1 | W10117003 | | | Brake And Drive Tube |
| 2 | 62658 | | | Ring, Thrust |
| 3 | 356427 | | | Seal, Spin Pinion |
| 4 | W10117001 | | | Tube, Basket Drive |
| 5 | W10083190 | | | Ring, Retaining |
| 6 | W10116995 | 285438 | | Shoe-Brake |
| 7 | 8546462 | | | "T" Bearing, Spin Tube |
| 8 | 3353956 | 285658 | | Sleeve |
| 9 | 387806 | | Not Available | Spring, Brake |
| 10 | 3355360 | 285658 | | Sleeve |
| 11 | 8546461 | | | Cam, Brake Release |
| 12 | 63022 | | | Sleeve, Cam |
| 13 | 64194 | 285790 | | Lining |
| 14 | W10083200 | | | Ring, Retaining |
| | BLANK | | Not Available | Following Parts Not Illustrated |
| " | 285208 | | | Lubricant |