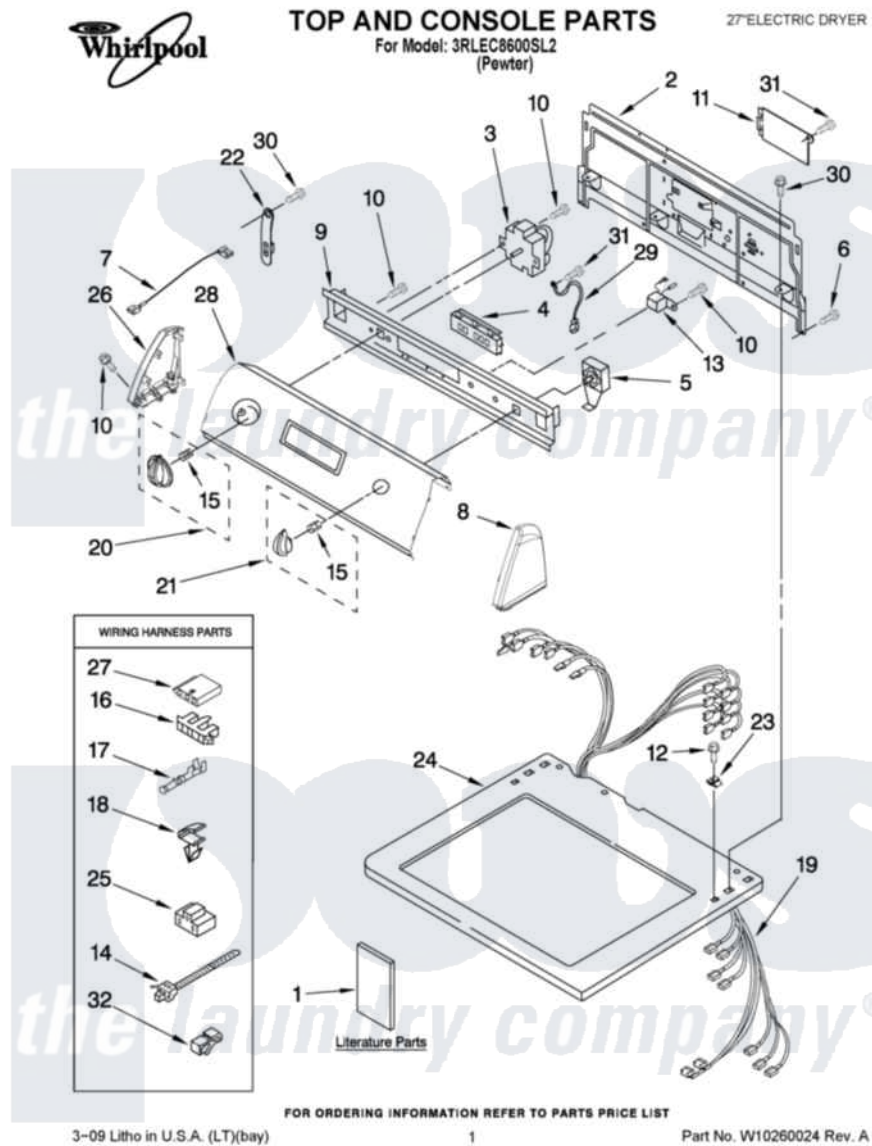


# Whirlpool 3RLEC8600SL2 01 - TOP AND CONSOLE PARTS



Whirlpool Residential Whirlpool 3RLEC8600SL2 Dryer Parts Parts Diagram 01 - TOP AND CONSOLE PARTS  
Click on the part number to view part

Item	Original Part Number	Replaced By	Status	Part Description
1	W10241044		Not Available	WIRING DIAGRAM
"	W10131582		Not Available	Guide, Use & Care
"	W10131579		Not Available	Instructions, Installation
"	W10131548		Not Available	Guide, User & Installation (UK)
2	<a href="#">W10121161</a>			Panel, Rear Console
3	<a href="#">W10116281</a>			Timer
4	<a href="#">W10136992</a>			Switch, Clean Touch
5	<a href="#">W10112633</a>			Switch, Push-To-Start
6	W10080390	<a href="#">693995</a>		Screw, Hex Head
7	3393815	<a href="#">3393812</a>		Wire, Jumper
"	3401703	<a href="#">3401671</a>		Wire, Jumper
"	3401704	<a href="#">3401667</a>		Wire, Jumper
"	3401705	<a href="#">3401667</a>		Wire, Jumper
8	8541779	<a href="#">285980</a>		Endcap
9	<a href="#">W10118071</a>			Bracket, Control
10	<a href="#">W10080820</a>			Screw, 8-18 X .298

11	<a href="#">W10096918</a>		Cover, Terminal Block
12	<a href="#">W10080350</a>		Screw, 8-18 X 1.25
13	<a href="#">8522378</a>		Mini Buzzer
14	<a href="#">3391018</a>		Tie Cable
15	<a href="#">8536939</a>		Clip, Knob
16	<a href="#">3397269</a>		Connector, Timer
17	<a href="#">94614</a>		Terminal
18	3394227	Not Available	Clip, Harness
19	<a href="#">W10242812</a>		Harness, Wiring
20	<a href="#">8544957</a>		Timer Knob Assembly
21	<a href="#">8544937</a>		Knob, Control
22	8318225	Not Available	Strap, Console
23	<a href="#">357213</a>		Nut, Push-In
24	<a href="#">W10218192</a>		Top
25	<a href="#">3401144</a>		Connector
26	8541780	<a href="#">285980</a>	Endcap
27	<a href="#">3936144</a>		Do-It-Yourself Repair Manuals
28	<a href="#">8575087</a>		Panel, Control
29	<a href="#">W10110977</a>		Wire, Ground
30	<a href="#">W10080800</a>		Screw, 8-18 X 3/8
31	<a href="#">W10130935</a>		Screw, 8-32 X 5/16
32	<a href="#">W10113937</a>		Clip, Grounding

