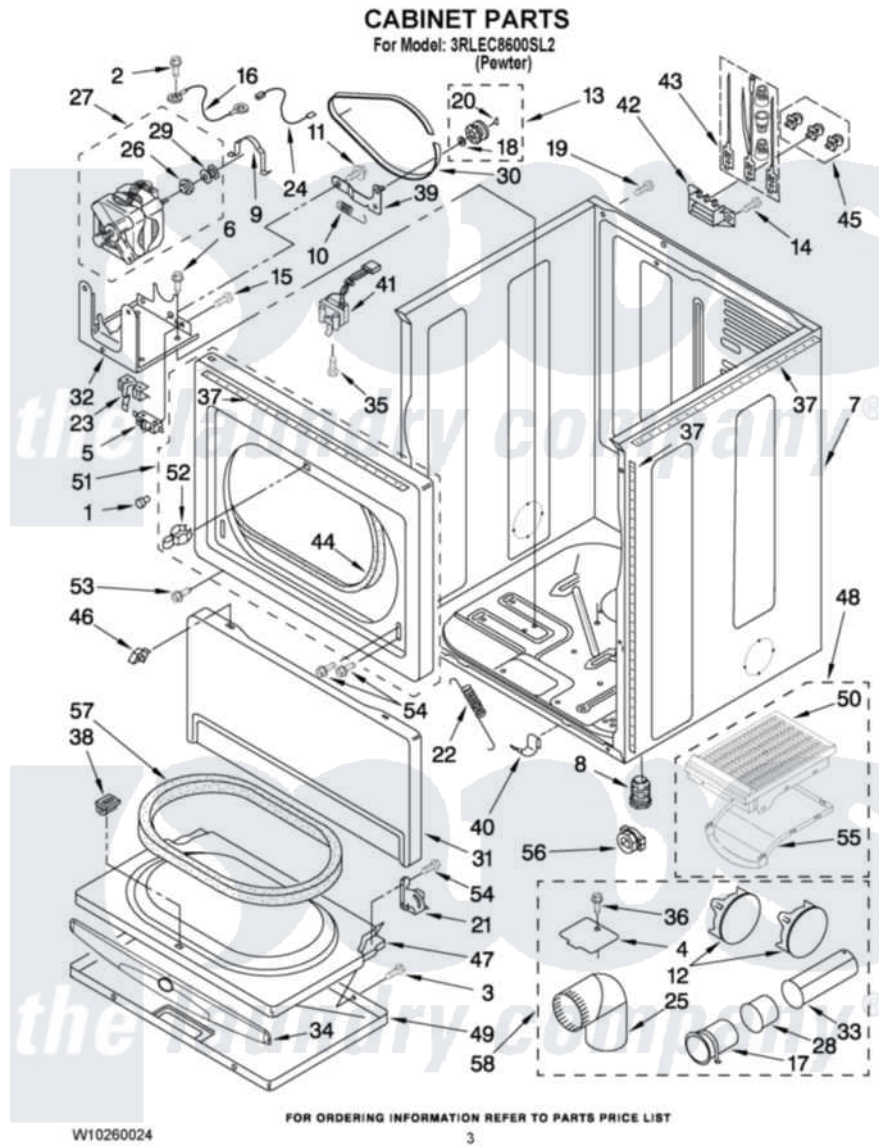


# Whirlpool 3RLEC8600SL2 02 - CABINET PARTS



Whirlpool [Residential Whirlpool 3RLEC8600SL2 Dryer Parts](#) Parts Diagram 02 - CABINET PARTS  
Click on the part number to view part

Item	Original Part Number	Replaced By	Status	Part Description
1	<a href="#">693152</a>			Bumper, Console
2	W10119286	<a href="#">W10119283</a>		Cover, Terminal Block
3	<a href="#">W10080300</a>			Screw, 8-18 X 3/8
4	<a href="#">3394331</a>			Plate Cover
5	<a href="#">8318457</a>			Switch, Broken Belt
6	<a href="#">W10080760</a>			Screw, 10-24 X 3/8
7	8528155	<a href="#">3979259</a>		Cabinet
8	3392100	<a href="#">49621</a>		Feet-Leveling
"	<a href="#">279810</a>			Foot-Optional
9	<a href="#">W10121316</a>			Plug, Multivent
10	<a href="#">3387374</a>			Spring, Idler
11	<a href="#">W10080670</a>			Retainer, Idler
12	<a href="#">3979261</a>			Plug, Multivent
13	3388672	<a href="#">279640</a>		Pulley-Idr
14	<a href="#">W10080710</a>			Screw, 10-16 X 1/2
15	<a href="#">W10118188</a>			Screw, 6-20 X 1 1/16

16	340025	<a href="#">687133</a>	Wire
17	<a href="#">3395532</a>		Exhaust Pipe And Bracket
18	<a href="#">W10121334</a>		Washer, Thrust
19	<a href="#">W10080830</a>		Screw, 10-32 X 5/8
20	<a href="#">690997</a>		Washer, Thrust
21	<a href="#">3387560</a>		Hinge, Door
"	<a href="#">3387559</a>		Hinge, Door
22	<a href="#">3387565</a>		Spring, Door
23	<a href="#">W10083220</a>		Lever, Snap Switch
24	<a href="#">3394081</a>		Wire, Broken Belt Switch
25	<a href="#">49026</a>		4" - 90° Elbow
26	<a href="#">3393657</a>		Restrainer, Belt
27	3404470	<a href="#">W10416573</a>	Motor-Drve
28	<a href="#">8563750</a>		Exhaust Pipe
29	<a href="#">3402548</a>		Pulley 50 Hz
30	3387610	<a href="#">661570</a>	Belt
31	3979197	<a href="#">3979260</a>	Toe Panel
32	<a href="#">3387118</a>		Bracket, Motor
33	<a href="#">8563749</a>		Exhaust Pipe
34	<a href="#">8563821</a>		Handle, Door
35	<a href="#">W10080540</a>		Screw, 6-20 X 7/8
36	<a href="#">693995</a>		Screw, Hex Head
37	<a href="#">8318396</a>		Foam-Seal
38	690081	<a href="#">279570</a>	Latch
39	W10118754	<a href="#">W10118756</a>	Idler Bracket
40	<a href="#">297092</a>		Clip
41	<a href="#">W10237959</a>		Door Switch Assembly
42	<a href="#">3397659</a>		Block, Terminal
43	<a href="#">279318</a>		Terminal Tinned And Brass Panel
44	<a href="#">3387242</a>		Seal, Front Panel
45	<a href="#">279393</a>		Terminal Block Screw Kit
46	<a href="#">3388229</a>		Retainer, Toe Panel
47	697655	<a href="#">280079</a>	Door
48	3406911	<a href="#">8212450A</a>	Dryer Rack
49	<a href="#">8521936</a>		Door, Front
50	3406910	<a href="#">8212450A</a>	Dryer Rack
51	3979198	<a href="#">279972</a>	Panel
52	<a href="#">W10080240</a>		Strike, Door
53	8281212	<a href="#">W10080800</a>	Screw, 8-18 X 3/8
54	<a href="#">W10080590</a>		Screw, 10-16 X 1/2
55	3406908	<a href="#">8212450A</a>	Dryer Rack
56	<a href="#">8316644</a>		Power Cord, Strain Relief
57	3390736	<a href="#">3390732</a>	Seal-Door
58	279969	<a href="#">W10470674</a>	Dryer Exhaust Kit