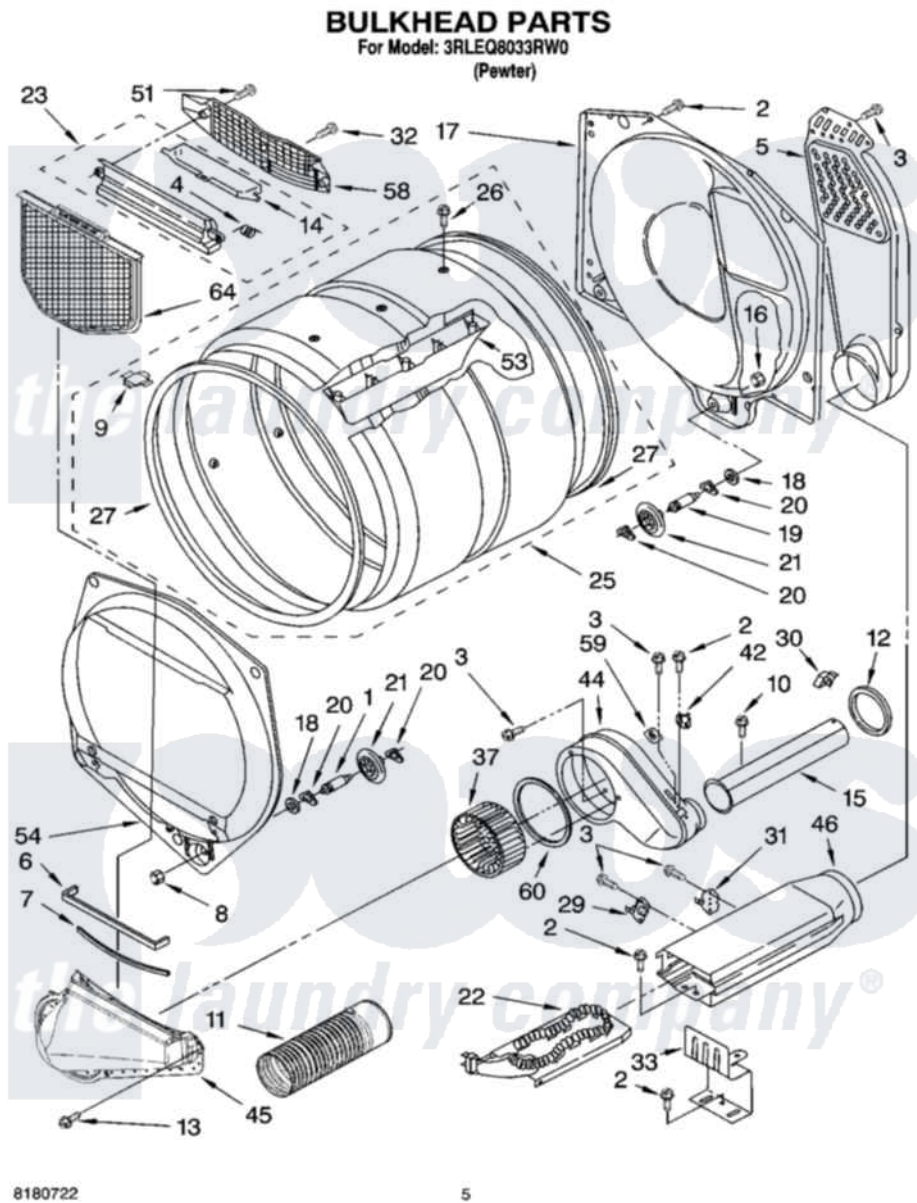


**Whirlpool 3RLEQ8033RW0 03 - BULKHEAD PARTS, OPTIONAL PARTS
(NOT INCLUDED)**



Whirlpool [Residential Whirlpool 3RLEQ8033RW0 Dryer Parts](#) Parts Diagram 03 - BULKHEAD PARTS, OPTIONAL PARTS (NOT INCLUDED)
Click on the part number to view part

Item	Original Part Number	Replaced By	Status	Part Description
1	3399508	W10359271		Shaft, Drum Roller Threads
2	3390647	488729		Screw
3	90767			Screw, 8A X 3/8 HeX Washer Head Tapping
4	3394986			Spring, Lint Screen Door
5	697354	3387911		Duct-Air
6	697813			Seal, Outlet Housing
7	697814	697813		Seal, Outlet Housing
8	3359452			Nut, Lock
9	8066086			Plug, Drum Hole
10	3390646	W10139210		Screw, 8-18 X 5/16
11	8318409			Exhaust Duct
12	696302			Shield, Exhaust
13	3387230			Screw, 10-16 X 13/16
14	3394984	8563758		Door, Lint Screen

15	8318486	279936	Kit-Exhst
16	3387709		Nut, 3/8-16
17	3387809		Bulkhead, Rear
18	3387459	W10080960	Washer, Support
19	3399509	W10359272	Shaft, Roller Drum Threads
20	690997		Washer, Thrust
21	8536973	W10314173	Support
22	3387749		Element, Heater
23	3394985	8563755	Housing, Outlet Assembly
25	8528998		Complete Drum Assembly
26	97787	W10109200	Screw, Baffle Mounting
27	697694	280114	Seal
29	3390291		Thermostat, High Limit 250F
30	3388229		Retainer, Toe Panel
31	3977394	279769	Cutoff-Tml
32	487909	488729	Screw
33	8066099		Bracket, Heater Box
37	697772		Wheel, Blower
42	3387137		Thermostat, Internal-Bias
44	8544362	W10119255	Housing, Blower
45	8066168	W10128606	Duct-Lint
46	3392537		Box, Heater
51	3357011	308685	Side Trim)
53	697693	W10113136	Baffle, Drum
54	697557		Bulkhead, Front
58	8299979		Grill, Outlet Screen Door
59	3392519		Thermal Limiter
60	697770		Seal, Cover Plate Blower Housing
64	8066170	W10120998	Screen
	N/A	Not Available	ACCESSORY PARTS
"	4392067		Kit, Dryer Repair
"	8522199		Accessory Parts
"	72017		Paint, Touch-Up
"	4396174		Paint, Touch-Up
"	350930		Paint, Pressurized Spray B
"	4396175		Paint, Pressurized Spray
"	350938		Paint, Pressurized Spray B
"	799344		Paint, Touch-Up)

the laundry company[®]