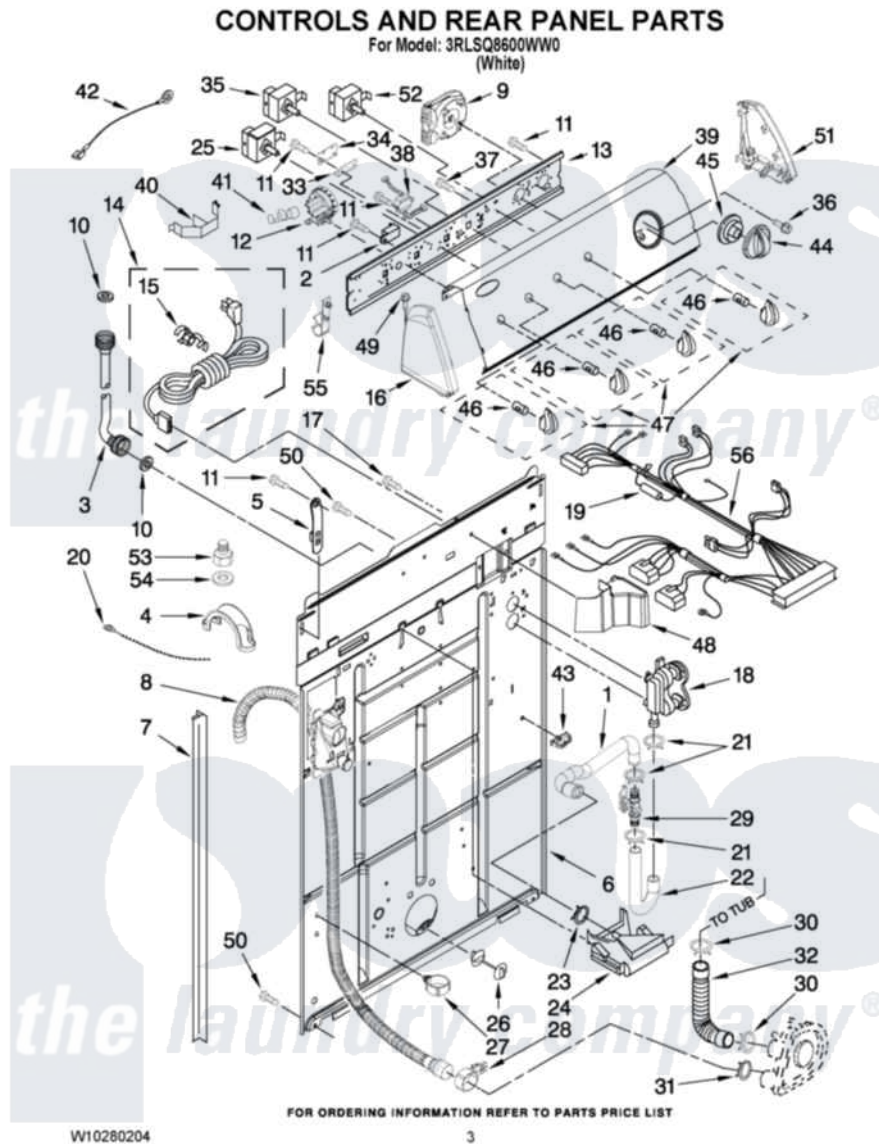


Whirlpool 3RLSQ8600WW0 02 - CONTROLS AND REAR PANEL PARTS



Whirlpool [Residential Whirlpool 3RLSQ8600WW0 Washer Parts](#) Parts Diagram 02 - CONTROLS AND REAR PANEL PARTS

[Click on the part number to view part](#)

| Item | Original Part Number | Replaced By | Status | Part Description |
|------|---------------------------|---------------------------|--------|---|
| 1 | 3349365 | | | Hose, Sensor |
| 2 | 3952439 | | | Buzzer, Mini |
| 3 | 3949382 | | | Hose, Water Inlet |
| " | 3949383 | | | Hose, Water Inlet |
| 4 | 8577378 | | | U-Bend, Drain Hose |
| 5 | 8568314 | | | Strap, Console |
| 6 | 8318015 | | | Panel, Rear |
| 7 | 62747 | | | Pad, Rear Panel |
| 8 | W10096921 | | | Drain Hose Assembly |
| 9 | W10222216 | | | Timer, Control |
| 10 | W10242307 | 16123 | | Washer Inlet-Hose Miscellaneous Parts Must be Ordered Separately. |
| 11 | W10080280 | | | Screw, 8-18 X 3/8 |
| 12 | W10213199 | W10339334 | | Switch-WL |
| 13 | 8544893 | | | Bracket, Control |

| | | | |
|----|---------------------------|---------------------------|-----------------------------------|
| 14 | W10111552 | | Cord, Power |
| 15 | 8559337 | 285777 | Relief-Str |
| 16 | 8271369 | 279962 | Endcap |
| 17 | W10080580 | | Screw, Gearcase Cover Mounting |
| 18 | 3360397 | | Valve, Water Mixing |
| 19 | W10111181 | | Fuse |
| 20 | 3347868 | W10339879 | Tie, Cable |
| 21 | W10117298 | 596669 | Clamp, Manifold |
| 22 | 3357319 | | Hose, Vacuum Break |
| 23 | W10117299 | 596669 | Clamp, Manifold |
| 24 | 387606 | 3360977 | Break-Vac |
| 25 | W10168172 | | Switch, Water Temperature |
| 26 | 8519200 | | Support, Rear Panel |
| 27 | 8541667 | | Clamp, Hose |
| 28 | 8541668 | | Clamp, Hose |
| 29 | 3352282 | | Sensor-Etc-Inline |
| 30 | W10094820 | 616099 | Clamp |
| 31 | W10112110 | 285655 | Clamp, Hose |
| 32 | W10116973 | 285871 | Hose |
| 33 | 8316039 | | Shield, Atc |
| 34 | W10110247 | | Control, Atc-lec |
| 35 | W10168262 | | Switch, Rotary |
| 36 | 3400818 | | Screw, Timer Mounting |
| 37 | W10130933 | | Screw, Ground |
| 38 | 3407160 | | Transformer |
| 39 | W10255315 | | Panel, Console |
| 40 | 8055003 | | Clip, Harness And Pressure Switch |
| 41 | W10113937 | | Clip, Grounding |
| 42 | W10110977 | | Wire, Ground |
| 43 | 3352944 | | Clip, Harness |
| 44 | 8544945 | | Knob, Timer |
| 45 | 8544947 | | Dial, Timer |
| 46 | 8536939 | | Clip, Knob |
| 47 | 8544937 | | Knob, Control |
| 48 | 8314879 | | Shield, Inlet Valve |
| 49 | W10080350 | | Screw, 8-18 X 1.25 |
| 50 | W10080260 | | Screw, 10-16 X 5/16 |
| 51 | 8271363 | 279962 | Endcap |
| 52 | W10168257 | | Switch, Rotary |
| 53 | 3357397 | | Adapter, Water Inlet Hose |
| 54 | 3357450 | | Washer, Water Inlet Hose |
| 55 | 8317975 | | Restraint, Harness |
| 56 | W10266989 | | Harness, Wiring |