

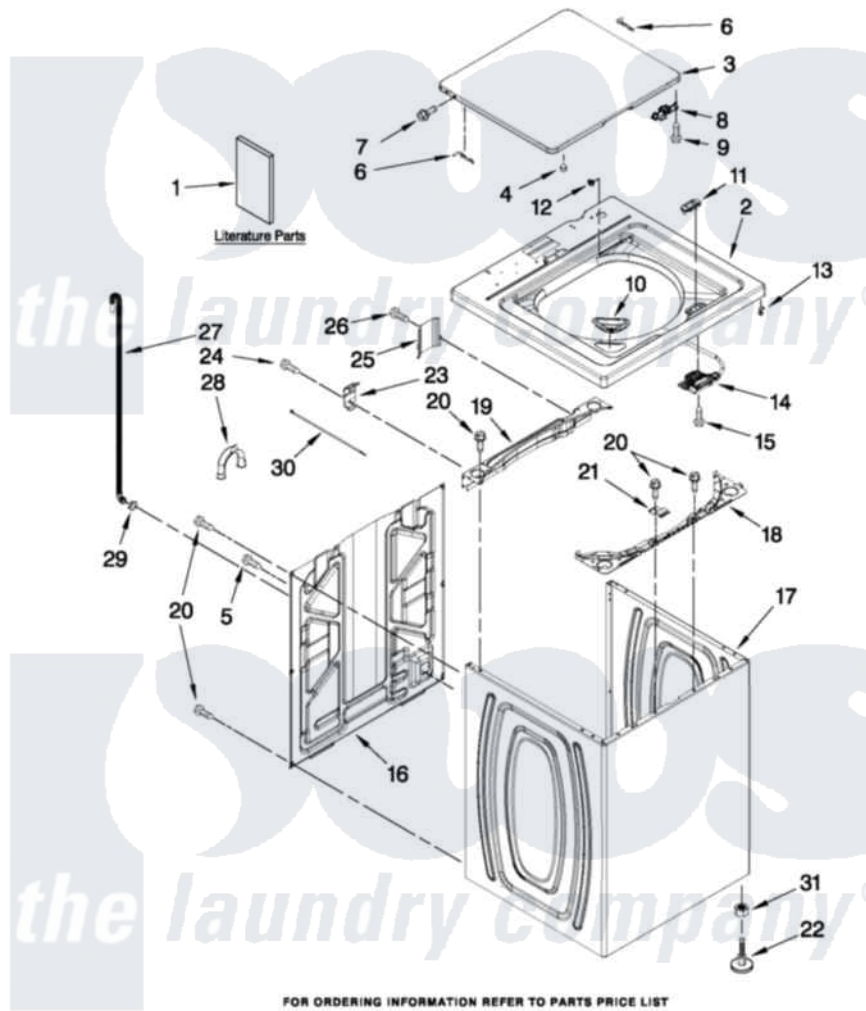
# Whirlpool 3SWTW4800YQ0 01 - TOP AND CABINET PARTS



## TOP AND CABINET PARTS

For Model: 3SWTW4800YQ0  
(White)

AUTOMATIC WASHER



FOR ORDERING INFORMATION REFER TO PARTS PRICE LIST

5-12 Litho in U.S.A. (JLP) (ire)

1

Part No. W10478108 Rev. A

Whirlpool [Residential Whirlpool 3SWTW4800YQ0 Washer Parts](#) Parts Diagram 01 - TOP AND CABINET PARTS  
Click on the part number to view part

Item	Original Part Number	Replaced By	Status	Part Description
1	W10462989		Not Available	INSTALLATION INSTRUCTIONS
"	W10462977		Not Available	USE & CARE GUIDE
"	W10280489		Not Available	INSTALLATION (TECH SHEET)
2	<a href="#">W10251319</a>			Top
3	W10027624	<a href="#">W10193861</a>		Lid
4	<a href="#">9724509</a>			Bumper, Lid
5	<a href="#">9740848</a>			Screw, Mixing Valve Mounting
6	<a href="#">91770</a>			Hinge, Lid
7	W10119872	<a href="#">W10119828</a>		Screw, Lid Hinge Mounting
8	<a href="#">W10240513</a>			Strike, Lid Lock
9	<a href="#">W10273971</a>			Screw, 6-19 X 1/2
10	<a href="#">W10192089</a>			Dispenser, Bleach
11	<a href="#">W10392041</a>			Bezel, Lid Lock
12	<a href="#">21258</a>			Bearing, Lid Hinge
13	<a href="#">90016</a>			Clip, Pressure Switch Hose

14	<a href="#">W10294102</a>	Latch, Lid Lock Assembly
15	<a href="#">8281163</a>	Screw, Dispenser Housing Mounting
16	<a href="#">W10250884</a>	Panel Rear
17	W10251994	<a href="#">W10338650</a> Cabinet
18	<a href="#">W10215098</a>	Brace, Cabinet Top Front
19	<a href="#">W10215099</a>	Brace, Cabinet Top Rear
20	1157158	<a href="#">489069</a> Xxscrew, 10-12 X 1/2
21	<a href="#">W10248088</a>	Lock, Top
22	W10335586	<a href="#">W10397767</a> Foot Assembly, Leveling
23	<a href="#">W10215102</a>	Hinge, Top
24	W10142728	<a href="#">3370225</a> Screw
25	<a href="#">W10215139</a>	Cover, Harness
26	<a href="#">3400076</a>	Screw, Bracket Mounting
27	<a href="#">W10221546</a>	Hose, Outer Drain Assembly
28	<a href="#">W10280024</a>	U-Bend, Drain Hose
29	<a href="#">356138</a>	Clamp, Hose
30	<a href="#">W10339879</a>	Tie, Cable
31	<a href="#">3359452</a>	Nut, Lock

