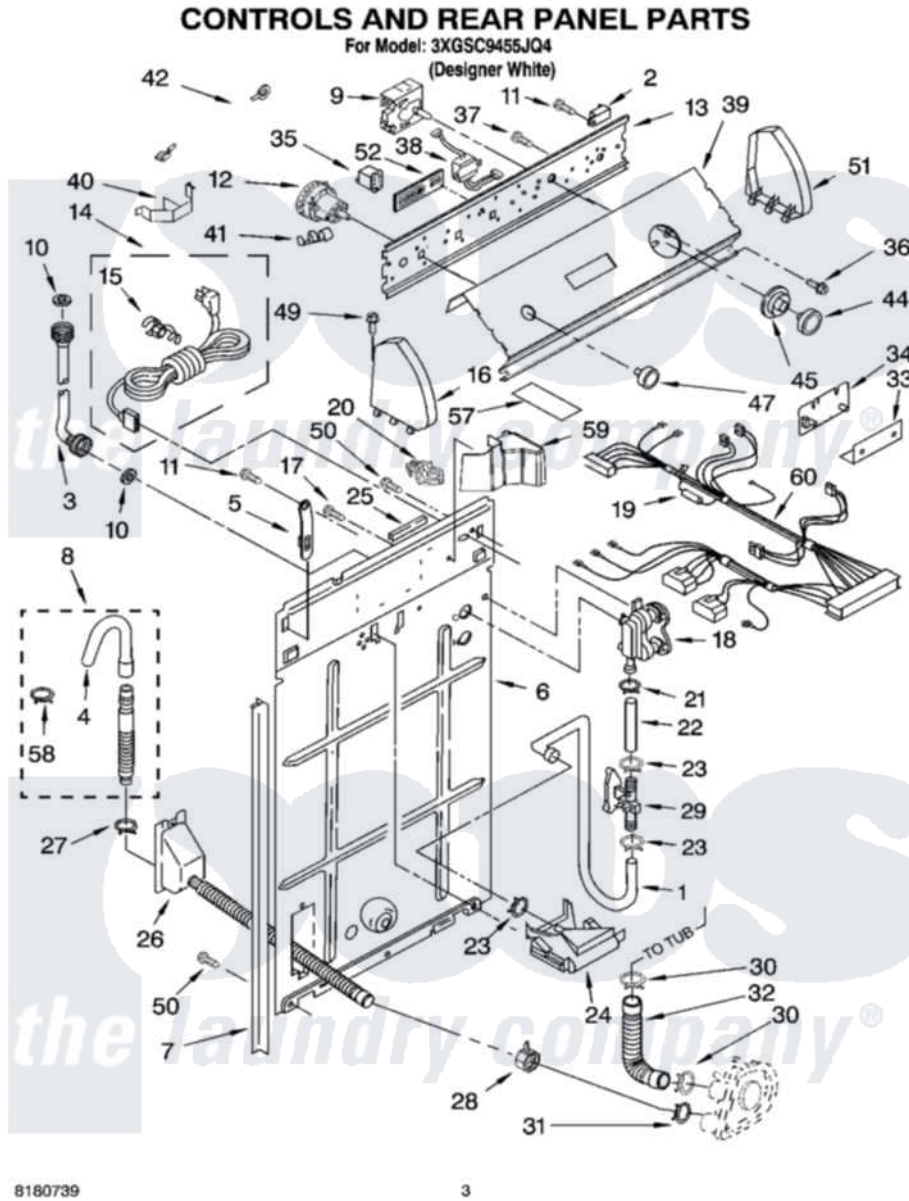


Whirlpool 3XGSC9455JQ4 02 - CONTROLS AND REAR PANEL PARTS



Whirlpool [Residential Whirlpool 3XGSC9455JQ4 Washer Parts](#) Parts Diagram 02 - CONTROLS AND REAR PANEL PARTS

[Click on the part number to view part](#)

Item	Original Part Number	Replaced By	Status	Part Description
1	3349365			Hose, Sensor
2	3952439			Buzzer, Mini
3	3949382			Hose, Water Inlet
"	3949383			Hose, Water Inlet
4	3357027			Nozzle, Hose Drain
5	8568314			Strap, Console
6	8318405			Panel, Rear
7	62747			Pad, Rear Panel
8	3951609	285664		Hose
"	661577	285666		Hose
"	3357090	285702		Hose
9	3954781	W10116266		Timer, Control
10	3976300	16123		Washer Inlet-Hose Miscellaneous Parts Must be Ordered Separately.
11	90767			Screw, 8A X 3/8 HeX Washer Head Tapping

12	3366845	W10339326	Switch-WL
13	3950194		Bracket, Control
14	8316045		Cord, Power
15	3949468	285777	Relief-Str
16	8271369	279962	Endcap
17	3351614		Screw, Gearcase Cover Mounting
18	3360397		Valve, Water Mixing
19	3951198		Fuse
20	2219077		Clip, Pressure Switch Hose
21	370451	596669	Clamp, Manifold
22	3357319		Hose, Vacuum Break
23	371503	596669	Clamp, Manifold
24	387606	3360977	Break-Vac
25	303294	3367669	Protector, Edge
26	8317959	W10358151	Drain Hose Assembly
27	356138		Clamp, Hose
28	3976395		Restraint, Hose
29	3352282		Sensor-Etc-Inline
30	3363366	616099	Clamp
31	8317496	285655	Clamp, Hose
32	3951449	285871	Hose
33	8316039		Shield, Atc
34	3407159	W10110247	Control, Atc-lec
"	3388228		Screw, 8-18 X 1/32
35	3952442		Relay
36	3400818		Screw, Timer Mounting
37	3179795		Screw, Ground
38	3407160		Transformer
39	8318790		Panel, Console
40	8055003		Clip, Harness And Pressure Switch
41	357572	W10113937	Clip, Grounding
42	3398893	3395559	Wire
44	8271345	3957824	Knob, Timer
45	8271351	3957849	Dial, Timer
47	8271339	3957799	Knob, Control
49	388326		Screw, 8-18 X 1.25
50	62863	3390631	Screw, 10-16 X 3/8
51	8271363	279962	Endcap
52	8532103		Switch, Clean Touch
57	3950829	3976286	Shield, Capacitor
58	3366913	3357331	Clamp, Drain
59	8314879		Shield, Inlet Valve
60	3956867		Harness, Wiring