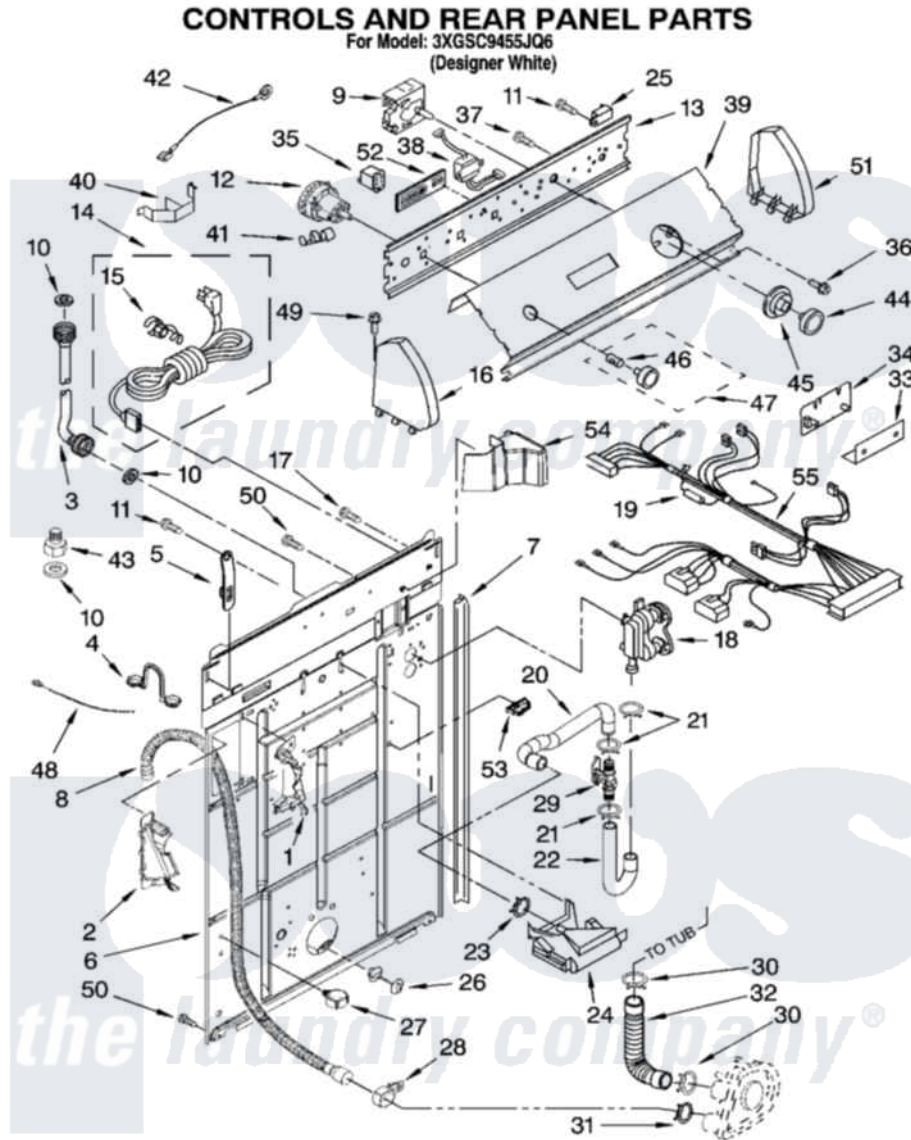


# Whirlpool 3XGSC9455JQ6 02 - CONTROLS AND REAR PANEL PARTS



8181166

3

Whirlpool [Residential Whirlpool 3XGSC9455JQ6 Washer Parts](#) Parts Diagram 02 - CONTROLS AND REAR PANEL PARTS

[Click on the part number to view part](#)

Item	Original Part Number	Replaced By	Status	Part Description
1	<a href="#">8541669</a>			Bucket, Drain Hose
2	<a href="#">8541658</a>			Bucket, Drain Hose
3	<a href="#">3949382</a>			Hose, Water Inlet
"	<a href="#">3949383</a>			Hose, Water Inlet
4	<a href="#">8577378</a>			U-Bend, Drain Hose
5	<a href="#">8568314</a>			Strap, Console
6	<a href="#">8318015</a>			Panel, Rear
7	<a href="#">62747</a>			Pad, Rear Panel
8	8559374	<a href="#">W10096921</a>		Drain Hose Assembly
9	3954781	<a href="#">W10116266</a>		Timer, Control
10	3976300	<a href="#">16123</a>		Washer Inlet-Hose Miscellaneous Parts Must be Ordered Separately.
11	<a href="#">90767</a>			Screw, 8A X 3/8 HeX Washer Head Tapping
12	3366845	<a href="#">W10339326</a>		Switch-WL
13	<a href="#">3950194</a>			Bracket, Control

14	8559411	<a href="#">W10111545</a>	Cord, Power
15	8559337	<a href="#">285777</a>	Relief-Str
16	8271369	<a href="#">279962</a>	Endcap
17	<a href="#">3351614</a>		Screw, Gearcase Cover Mounting
18	<a href="#">3360397</a>		Valve, Water Mixing
19	<a href="#">3951198</a>		Fuse
20	<a href="#">3349365</a>		Hose, Sensor
21	370451	<a href="#">596669</a>	Clamp, Manifold
22	<a href="#">3357319</a>		Hose, Vacuum Break
23	371503	<a href="#">596669</a>	Clamp, Manifold
24	387606	<a href="#">3360977</a>	Break-Vac
25	<a href="#">3952439</a>		Buzzer, Mini
26	<a href="#">8519200</a>		Support, Rear Panel
27	<a href="#">8541667</a>		Clamp, Hose
28	<a href="#">8541668</a>		Clamp, Hose
29	<a href="#">3352282</a>		Sensor-Etc-Inline
30	3363366	<a href="#">616099</a>	Clamp
31	8317496	<a href="#">285655</a>	Clamp, Hose
32	3951449	<a href="#">285871</a>	Hose
33	<a href="#">8316039</a>		Shield, Atc
34	3407159	<a href="#">W10110247</a>	Control, Atc-lec
"	<a href="#">3388228</a>		Screw, 8-18 X 1/32
35	<a href="#">3952442</a>		Relay
36	<a href="#">3400818</a>		Screw, Timer Mounting
37	<a href="#">3179795</a>		Screw, Ground
38	<a href="#">3407160</a>		Transformer
39	<a href="#">8318790</a>		Panel, Console
40	<a href="#">8055003</a>		Clip, Harness And Pressure Switch
41	357572	<a href="#">W10113937</a>	Clip, Grounding
42	3398893	<a href="#">3395559</a>	Wire
43	<a href="#">3357397</a>		Adapter, Water Inlet Hose
44	<a href="#">3957824</a>		Knob, Timer
45	<a href="#">3957849</a>		Dial, Timer
46	<a href="#">8536939</a>		Clip, Knob
47	<a href="#">3957799</a>		Knob, Control
48	3347868	<a href="#">W10339879</a>	Tie, Cable
49	<a href="#">388326</a>		Screw, 8-18 X 1.25
50	62863	<a href="#">3390631</a>	Screw, 10-16 X 3/8
51	8271363	<a href="#">279962</a>	Endcap
52	<a href="#">8532103</a>		Switch, Clean Touch
53	<a href="#">3352944</a>		Clip, Harness
54	<a href="#">8314879</a>		Shield, Inlet Valve
55	<a href="#">3956867</a>		Harness, Wiring