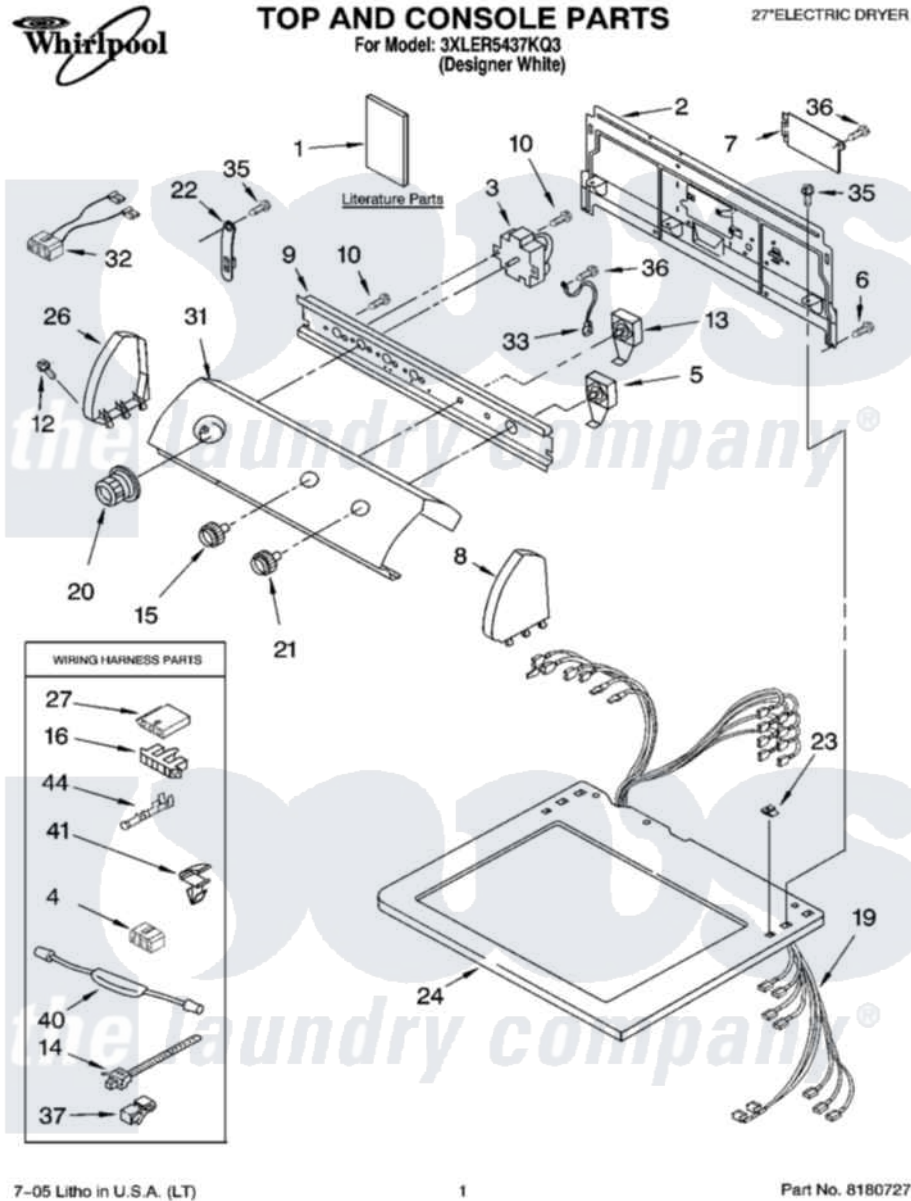


# Whirlpool 3XLER5437KQ3 01 - TOP AND CONSOLE PARTS



7-05 Litho in U.S.A. (LT)

1

Part No. 8180727

Whirlpool Residential Whirlpool 3XLER5437KQ3 Dryer Parts Parts Diagram 01 - TOP AND CONSOLE PARTS  
 Click on the part number to view part

Item	Original Part Number	Replaced By	Status	Part Description
1	8318458		Not Available	Wiring Diagram
"	8577080		Not Available	Guide, Use & Care
"	8528095		Not Available	Instructions, Installation
"	N/A		Not Available	Following May Be Purchased DO-IT-YOURSELF REPAIR MANUALS
"	677818		Not Available	Manual, Do-It- Yourself Repair (Dryer)
2	8317305	<a href="#">285909</a>		Panel-Rear
3	<a href="#">8299770</a>			Timer
4	<a href="#">3347243</a>			Block, Disconnect
5	<a href="#">3395382</a>			Switch, Push-To-Start
6	<a href="#">693995</a>			Screw, Hex Head
7	8317342	<a href="#">W10119283</a>		Cover, Terminal Block
8	8271363	<a href="#">279962</a>		Endcap
9	<a href="#">8271316</a>			Bracket, Control
10	3390646	<a href="#">W10139210</a>		Screw, 8-18 X 5/16

12	<a href="#">388326</a>	Screw, 8-18 X 1.25	
13	<a href="#">3399638</a>	Switch, Temperature	
14	<a href="#">3391018</a>	Tie Cable	
15	8271339	<a href="#">3957799</a>	Knob, Control
16	<a href="#">3397269</a>	Connector, Timer	
19	<a href="#">8529874</a>	Harness, Wiring	
20	8312687	<a href="#">3957754</a>	Timer Knob Assembly
21	8271341	<a href="#">3957804</a>	Knob, Push-To-Start
22	<a href="#">8568314</a>	Strap, Console	
23	<a href="#">357213</a>	Nut, Push-In	
24	8271399	<a href="#">3979278</a>	Top
26	8271369	<a href="#">279962</a>	Endcap
27	<a href="#">3936144</a>	Do-It-Yourself Repair Manuals	
31	<a href="#">8318383</a>	Panel, Control	
32	8283293	<a href="#">8283286</a>	Wire-Jumper
33	3398893	<a href="#">3395559</a>	Wire
35	3390647	<a href="#">488729</a>	Screw
36	98139	<a href="#">303776</a>	Screw
37	357572	<a href="#">W10113937</a>	Clip, Grounding
40	8283170	<a href="#">279872</a>	Resistor
41	<a href="#">3394427</a>	Clip-Harness	
44	<a href="#">94614</a>	Terminal	

