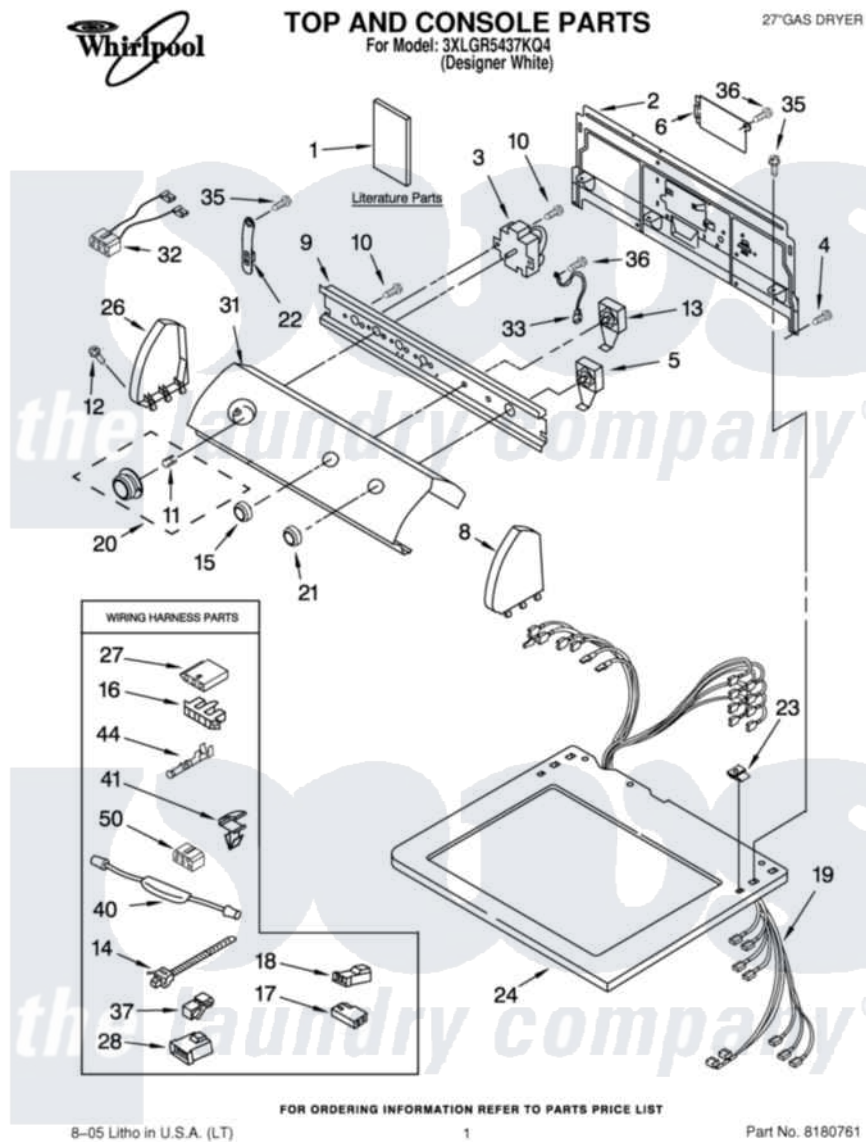


# Whirlpool 3XLGR5437KQ4 01 - TOP AND CONSOLE PARTS



Whirlpool Residential Whirlpool 3XLGR5437KQ4 Dryer Parts Parts Diagram 01 - TOP AND CONSOLE PARTS  
Click on the part number to view part

Item	Original Part Number	Replaced By	Status	Part Description
1	8318458		Not Available	Wiring Diagram
"	8577080		Not Available	Guide, Use & Care
"	8528097		Not Available	Instructions, Installation
2	8317305	<a href="#">285909</a>		Panel-Rear
3	<a href="#">8299770</a>			Timer
4	<a href="#">693995</a>			Screw, Hex Head
5	<a href="#">3395382</a>			Switch, Push-To-Start
6	8317342	<a href="#">W10119283</a>		Cover, Terminal Block
8	8271363	<a href="#">279962</a>		Endcap
9	<a href="#">8271316</a>			Bracket, Control
10	3390646	<a href="#">W10139210</a>		Screw, 8-18 X 5/16
11	<a href="#">688805</a>			Clip, Spring Knob
12	<a href="#">388326</a>			Screw, 8-18 X 1.25
13	<a href="#">3399638</a>			Switch, Temperature
14	<a href="#">3391018</a>			Tie Cable
15	<a href="#">3957799</a>			Knob, Control

16	<a href="#">3397269</a>		Connector, Timer
17	<a href="#">717252</a>		Receptacle, Terminal
18	<a href="#">3403499</a>		Connector, 2-Postion
19	<a href="#">8529869</a>		Harness, Wiring
20	<a href="#">3957754</a>		Timer Knob Assembly
21	<a href="#">3957804</a>		Knob, Push-To-Start
22	<a href="#">8568314</a>		Strap, Console
23	<a href="#">357213</a>		Nut, Push-In
24	8271399	<a href="#">3979278</a>	Top
26	8271369	<a href="#">279962</a>	Endcap
27	<a href="#">3936144</a>		Do-It-Yourself Repair Manuals
28	<a href="#">3403498</a>		Connector, 3-Position
31	<a href="#">8318383</a>		Panel, Control
32	8283293	<a href="#">8283286</a>	Wire-Jumper
33	3398893	<a href="#">3395559</a>	Wire
35	3390647	<a href="#">488729</a>	Screw
36	98139	<a href="#">303776</a>	Screw
37	357572	<a href="#">W10113937</a>	Clip, Grounding
40	8283170	<a href="#">279872</a>	Resistor
41	<a href="#">3394427</a>		Clip-Harness
44	<a href="#">94614</a>		Terminal
50	<a href="#">3347243</a>		Block, Disconnect

