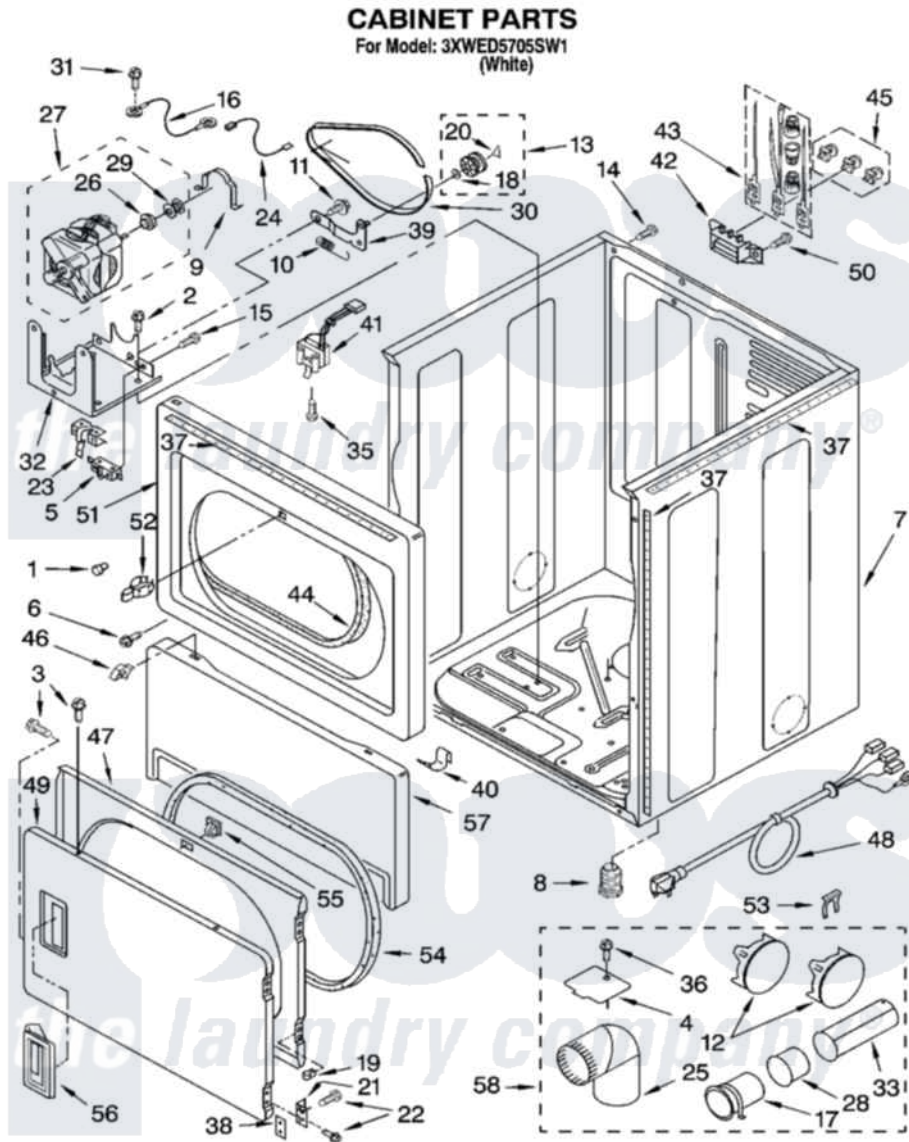


Whirlpool 3XWED5705SW1 02 - CABINET PARTS



W10212720

3

Whirlpool [Residential Whirlpool 3XWED5705SW1 Dryer Parts](#) Parts Diagram 02 - CABINET PARTS
Click on the part number to view part

Item	Original Part Number	Replaced By	Status	Part Description
1	693152			Bumper, Console
2	98139	303776		Screw
3	694091			Trim, Side Right Hand
4	3394331			Plate Cover
5	8318457			Switch, Broken Belt
6	8281212	W10080800		Screw, 8-18 X 3/8
7	8310656			Cabinet
8	3392100	49621		Feet-Leveling
"	279810			Foot-Optional
9	660658			Clamp, Motor Mounting 343481 685441
10	3387374			Spring, Idler
11	3389420			Retainer-Idler 1/4-20 X 1/16
12	697750	W10470674		Dryer Exhaust Kit
13	3388672	279640		Pulley-ldr
14	8533974	4331106		Screw, No.10-32 X 7/16
				Assembly, Screw And

15	3400934		Assembly, Screw And Insulator
16	340025	687133	Wire
17	8563747		Exhaust Pipe Medium Pipe
18	W10121334		Washer, Thrust
19	3389249		Nut, Inner Door
20	690997		Washer, Thrust
21	3389247		Hinge And Pin Assembly
22	342055	488627	Screw
23	8066120		Lever, Door Switch
24	3394081		Wire, Broken Belt Switch
25	49026		4" - 90° Elbow
26	3393657		Restrainer, Belt
27	3404470	W10416573	Motor-Drve
28	8563750		Exhaust Pipe
29	3402548		Pulley 50 Hz
30	3387610	661570	Belt
31	3400097		Screw, 10-24 X 3/8
32	3387118		Bracket, Motor
33	8563749		Exhaust Pipe
35	697773	3395530	Screw
36	693995		Screw, Hex Head
37	8318396		Foam-Seal
38	3390902		Clip, Door Hinge
39	3388674	W10118756	Idler Bracket
40	297092		Clip
41	3406109	3406107	Door Switch Assembly
42	3397659		Block, Terminal
43	279318		Terminal Tinned And Brass Panel
44	3387242		Seal, Front Panel
45	279393		Terminal Block Screw Kit
46	3388229		Retainer, Toe Panel
47	3392563	280083	Door-Rear
48	W10111542		Cord, Power
49	3387872		Door, Front
50	3393008	308685	Side Trim)
51	8317373	280038	Panel
52	696144	279570	Latch
53	694415		Clip, Strain Relief
54	3390735		Seal, Door
55	3392538	279570	Latch
56	3389522		Handle, Door
57	697215	3406797	Toe Panel
"	BLANK		Optional Parts Not Included
58	279818	W10470674	Dryer Exhaust Kit