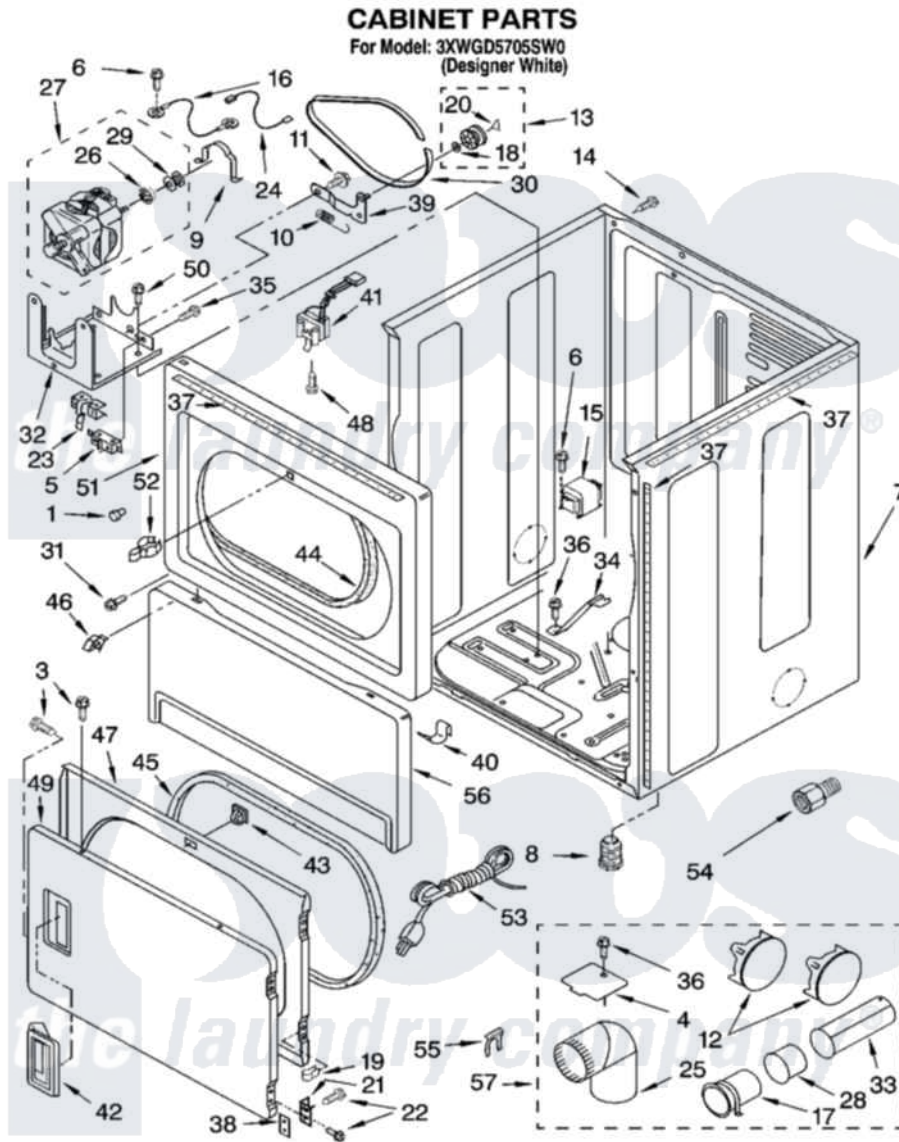


Whirlpool 3XWGD5705SW0 02 - CABINET PARTS



W10114455

3

Whirlpool [Residential Whirlpool 3XWGD5705SW0 Dryer Parts](#) Parts Diagram 02 - CABINET PARTS
 Click on the part number to view part

| Item | Original Part Number | Replaced By | Status | Part Description |
|------|-------------------------|---------------------------|--------|----------------------------------------|
| 1 | 693152 | | | Bumper, Console |
| 3 | 694091 | | | Trim, Side Right Hand |
| 4 | 3394331 | | | Plate Cover |
| 5 | 8318457 | | | Switch, Broken Belt |
| 6 | 3400000 | | | Screw, 10-24 X 3/8 |
| 7 | 8310656 | | | Cabinet |
| 8 | 3392100 | 49621 | | Feet-Leveling |
| " | 279810 | | | Foot-Optional |
| 9 | 660658 | | | Clamp, Motor Mounting 343481 685441 |
| 10 | 3387374 | | | Spring, Idler |
| 11 | 3389420 | | | Retainer-Idler 1/4-20 X 1/16 |
| 12 | 697750 | W10470674 | | Dryer Exhaust Kit |
| 13 | 3388672 | 279640 | | Pulley-Idr |
| 14 | 8533974 | 4331106 | | Screw, No.10-32 X 7/16 |
| 15 | 3977633 | | | Autotransformer |
| 16 | 340025 | 687133 | | Wire |

| | | | |
|----|---------------------------|---------------------------|-------------------------------|
| 17 | 3395532 | | Exhaust Pipe And Bracket |
| 18 | W10121334 | | Washer, Thrust |
| 19 | 3389249 | | Nut, Inner Door |
| 20 | 690997 | | Washer, Thrust |
| 21 | 3389247 | | Hinge And Pin Assembly |
| 22 | 342055 | 488627 | Screw |
| 23 | 8066120 | | Lever, Door Switch |
| 24 | 3394081 | | Wire, Broken Belt Switch |
| 25 | 49026 | | 4" - 90° Elbow |
| 26 | 3393657 | | Restrainer, Belt |
| 27 | 3404470 | W10416573 | Motor-Drve |
| 28 | 3395534 | | Exhaust Pipe |
| 29 | 3402548 | | Pulley 50 Hz |
| 30 | 3387610 | 661570 | Belt |
| 31 | 8281212 | W10080800 | Screw, 8-18 X 3/8 |
| 32 | 3387118 | | Bracket, Motor |
| 33 | 3395535 | 8563749 | Exhaust Pipe |
| 34 | 8529757 | | Bracket, Burner |
| 35 | 3400934 | | Assembly, Screw And Insulator |
| 36 | 693995 | | Screw, Hex Head |
| 37 | 8318396 | | Foam-Seal |
| 38 | 3390902 | | Clip, Door Hinge |
| 39 | 3388674 | W10118756 | Idler Bracket |
| 40 | 297092 | | Clip |
| 41 | 3406109 | 3406107 | Door Switch Assembly |
| 42 | 3389522 | | Handle, Door |
| 43 | 3392538 | 279570 | Latch |
| 44 | 3387242 | | Seal, Front Panel |
| 45 | 3390735 | | Seal, Door |
| 46 | 3388229 | | Retainer, Toe Panel |
| 47 | 3392563 | 280083 | Door-Rear |
| 48 | 697773 | 3395530 | Screw |
| 49 | 3387872 | | Door, Front |
| 50 | 3400097 | | Screw, 10-24 X 3/8 |
| 51 | 8317373 | 280038 | Panel |
| 52 | 696144 | 279570 | Latch |
| 53 | W10111542 | | Cord, Power |
| 54 | 8316063 | | Adapter, Gas Inlet |
| 55 | 694415 | | Clip, Strain Relief |
| 56 | 697215 | 3406797 | Toe Panel |
| " | BLANK | Not Available | Optional Parts Not Included |
| 57 | 279818 | W10470674 | Dryer Exhaust Kit |