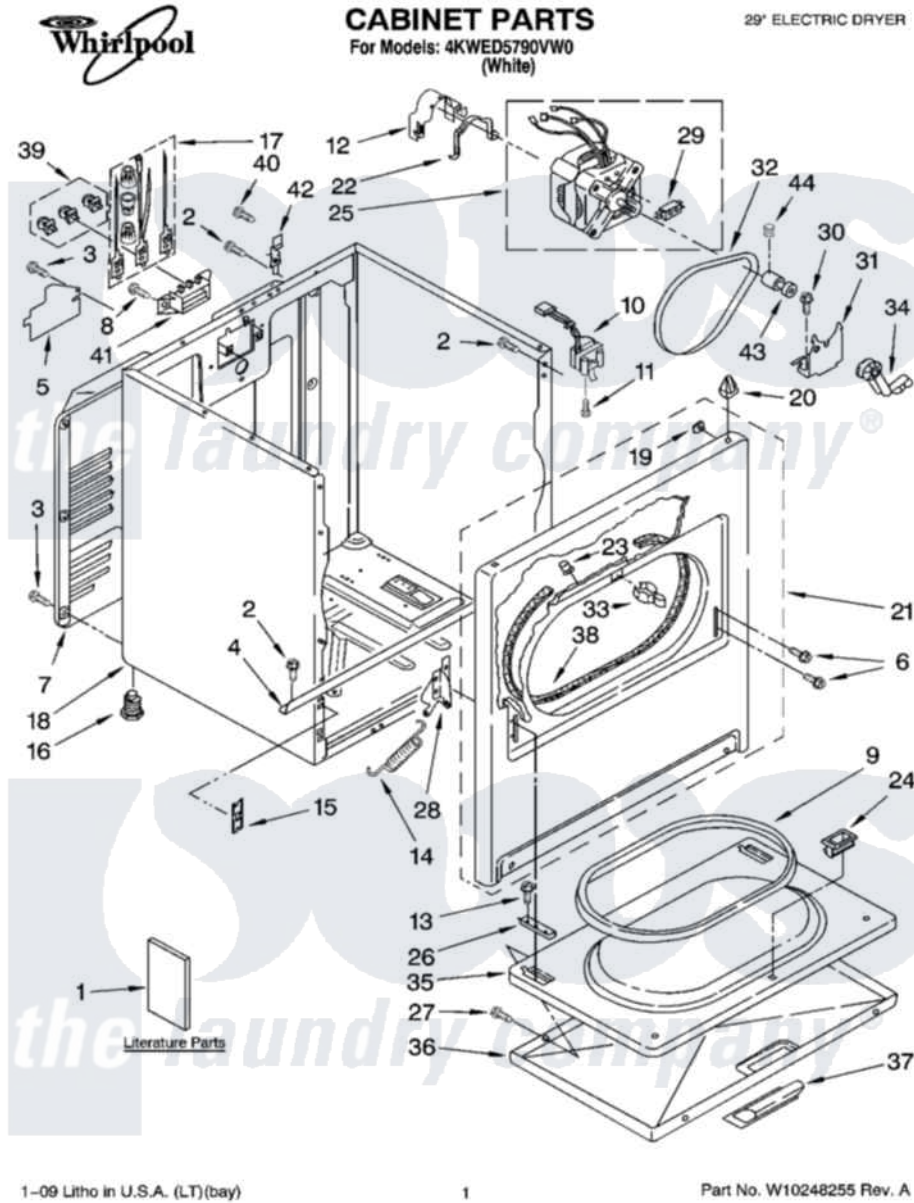


Whirlpool 4KWED5790VW0 01 - CABINET PARTS



1-09 Litho in U.S.A. (LT)(bay)

1

Part No. W10248255 Rev. A

Whirlpool [Residential Whirlpool 4KWED5790VW0 Dryer Parts](#) Parts Diagram 01 - CABINET PARTS
 Click on the part number to view part

Item	Original Part Number	Replaced By	Status	Part Description
1	W10131613		Not Available	Instructions, Installation (English)
"	W10131614		Not Available	Instructions, Installation (Arabic)
"	W10131636		Not Available	Use & Care Guide
"	W10167650		Not Available	Wiring Diagram
"	W10131637		Not Available	Sheet, Cycle Feature
"	BLANK		Not Available	Following May Be Purchased DO-IT-YOURSELF REPAIR MANUALS
"	677818		Not Available	Manual, Do-It- Yourself Repair (Dryer)
2	343641	681414		Screw, 10AB X 1/2
3	693995			Screw, Hex Head
4	8541400			Bracket, Cabinet
5	3396795			Cover, Terminal Block
6	342043	486146		Screw
7	3396805	280043		Panel-Rear

8	3393008	308685	Side Trim)
9	3390731		Seal, Door
10	3406109	3406107	Door Switch Assembly
11	697773	3395530	Screw
12	3404162		Clamp, Motor
13	3357011	308685	Side Trim)
14	W10041960		Spring, Door
15	3394083		Clip, Front Panel
16	3392100	49621	Feet-Leveling
"	279810		Foot-Optional
17	279318		Terminal Tinned And Brass Panel
18	8530603	8533643	Cabinet
19	98234		Clip, U-Bend
20	690363	18776	Lock, Front Top
21	695620	279443	Panel
22	W10121316		Plug, Multivent
23	685203	279220	Clip
24	3389441		Door Catch Assembly
25	685815	W10416572	Motor-Drve
26	337189		Clip, Hinge
27	694091		Trim, Side Right Hand
28	8066056		Hinge, Door
"	8066057		Hinge, Door
29	3388235		Switch, Centrifugal
30	3400500		Bolt, 3405245 5/16-18 X 3/4
31	348780		Base, Motor
32	W10131364	341241	Belt
33	696144	279570	Latch
34	691366		Idler And Pulley Assembly
35	695737		Door, Rear
36	3393549		Door, Front
37	W10095180		Handle, Door
38	3406129		Seal And Bearing Assembly
39	279393		Terminal Block Screw Kit
40	697776	4331106	Screw, No.10-32 X 7/16
41	3397659		Block, Terminal
42	8066217		Hinge, Top
43	685011		Pulley, 60 Hz
44	690046		Not Available
			SCREW, SET 1/4 - 28 X 3/8