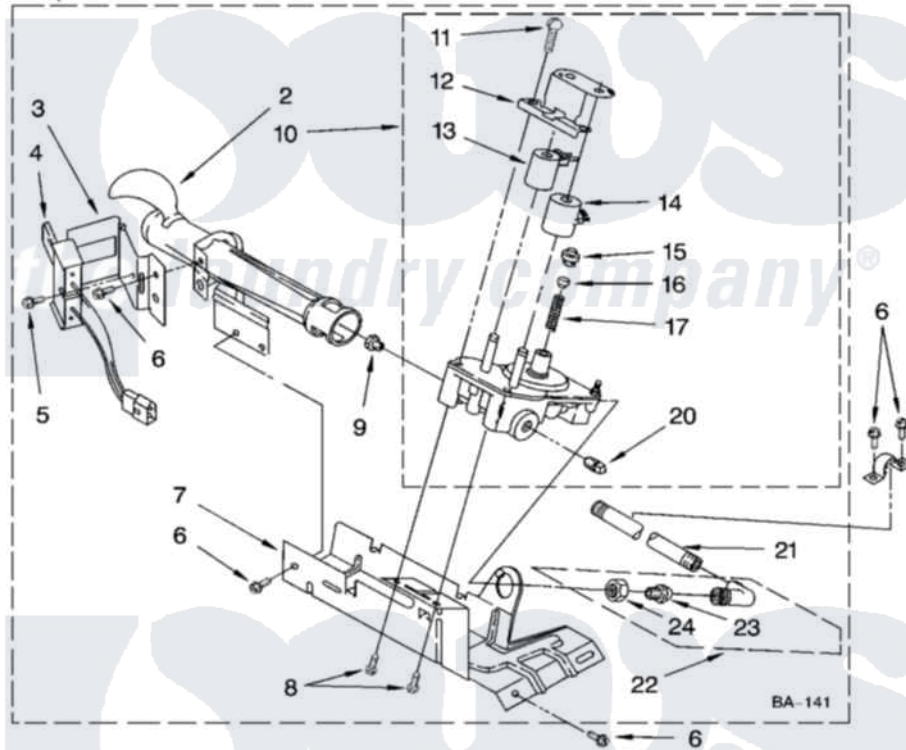


Whirlpool 4PLGC8647JT1 04 - 3402844 BURNER ASSEMBLY

3402844 BURNER ASSEMBLY

For Model: 4PLGC8647JT1
(Biscuit)

1 USE WITH TYPE 1 - NATURAL, TYPE 2 - MIXED, TYPE 3 - MANUFACTURED
AND TYPE 4 - LIQUEFIED PROPANE AND BUTANE GASES



8180244

7

Whirlpool [Residential Whirlpool 4PLGC8647JT1 Dryer Parts](#) Parts Diagram 04 - 3402844 BURNER ASSEMBLY
Click on the part number to view part

| Item | Original Part Number | Replaced By | Status | Part Description |
|------|-------------------------|---------------------------|---------------|------------------------------------|
| 1 | 3402844 | W10492502 | | Burner-Gas |
| 2 | 688617 | 693140 | | Burner |
| 3 | 694298 | | | Bracket, Ignitor |
| 4 | 686590 | 279311 | | Ignitor |
| 5 | 3393909 | | | Screw, 8-32 X 7/8 |
| 6 | 343641 | 681414 | | Screw, 10AB X 1/2 |
| 7 | 693986 | | | Base, Burner |
| 8 | 3387057 | | | Screw, 10-16 X 1/2 Orifice, Burner |
| 9 | 234826 | | | Orifice, Burner Type 1 |
| " | 15775 | 72017 | | Paint, Touch-Up |
| " | 15419 | | Not Available | Orifice, Burner (Type 3) |
| " | 229742 | | | Orifice, Burner |
| " | 234868 | | | Orifice, Burner |
| 10 | 3401775 | 279923 | | NAT Gas |
| 11 | 694421 | | | Screw, Bracket Mounting |
| 12 | 694538 | | | Bracket, Shunt |

| | | | |
|----|-------------------------|---------------------------|--------------------------------|
| 13 | 694540 | | Coil, 60 Hz |
| 14 | 694539 | | Coil, 60 Hz |
| 15 | 694424 | | Leak, Limiter |
| 16 | 694423 | | Screw, Regulator Adjustment |
| 17 | 694422 | | Spring, Regulator |
| 20 | 239822 | W10295523 | Plug, Pipe |
| 21 | 233273 | Not Available | Pipe, Gas Supply |
| 22 | 3406052 | Not Available | Elbow Union Assembly |
| 23 | 3393767 | | Pipe, Tail |
| 24 | 233076 | | Nut, Compression |
| 25 | 341029 | | Clamp, Pipe Door Spring |
| " | 694572 | 49572A | Conversion Kit To Type L.p.g.f |

the laundry company[®]

the laundry company[®]

the laundry company[®]