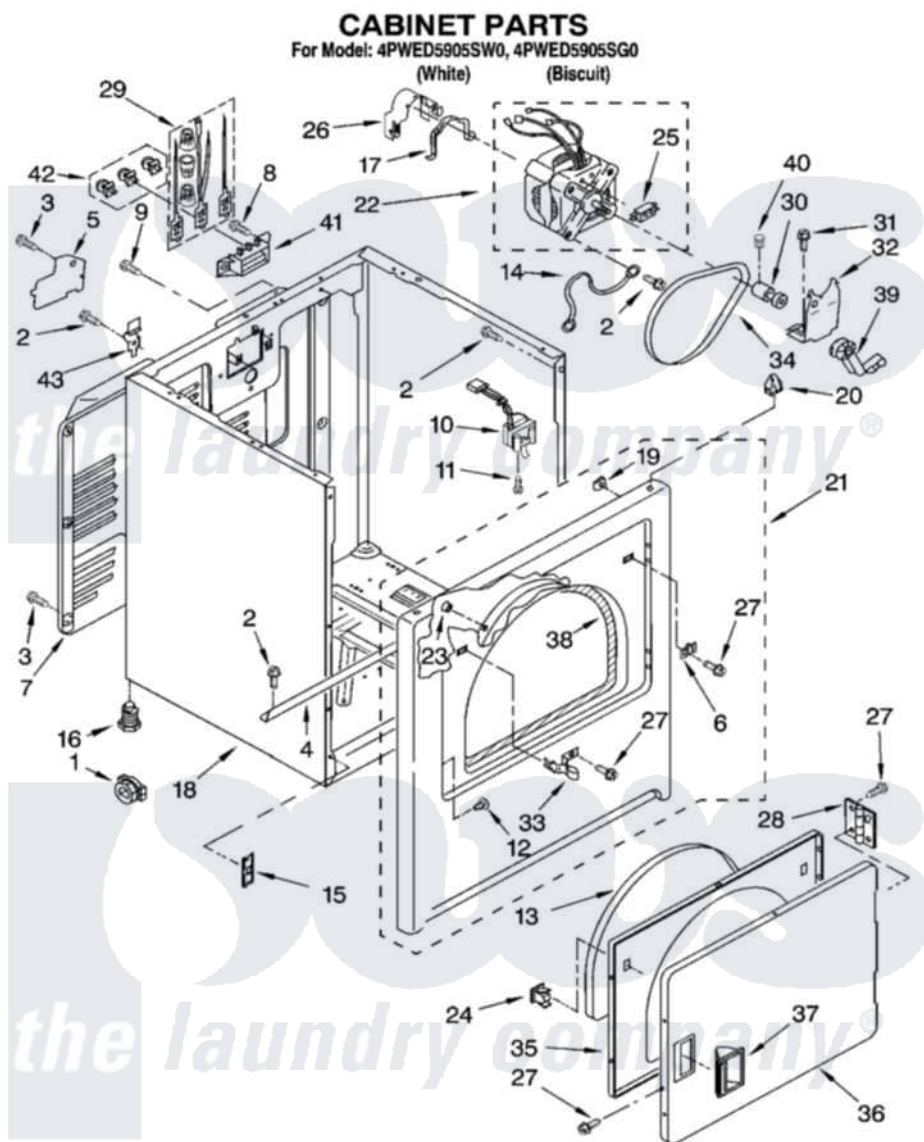


Whirlpool 4PWED5905SG0 02 - CABINET PARTS



W10114540

3

Whirlpool [Residential Whirlpool 4PWED5905SG0 Dryer Parts](#) Parts Diagram 02 - CABINET PARTS
 Click on the part number to view part

Item	Original Part Number	Replaced By	Status	Part Description
1	8316644			Power Cord, Strain Relief
2	343641	681414		Screw, 10AB X 1/2
3	693995			Screw, Hex Head
4	8541400			Bracket, Cabinet
5	3396795			Cover, Terminal Block
6	3403630			Plug, Strike Hole
"	3403632			Plug, Strike Hole
7	3396805	280043		Panel-Rear
8	3393008	308685		Side Trim)
9	697776	4331106		Screw, No.10-32 X 7/16
10	3406109	3406107		Door Switch Assembly
11	697773	3395530		Screw
12	3404413			Plug, Hinge Hole
"	3404415			Plug, Hinge Hole
13	3405246			Seal, Door Push-To-Start
14	690236			Wire, Ground

15	3394083		Clip, Front Panel
16	3392100	49621	Feet-Leveling
17	W10121316		Plug, Multivent
18	8530603	8533643	Cabinet
"	8530606	3977306	Cabinet
19	98234		Clip, U-Bend
20	690363	18776	Lock, Front Top
21	3403444	279852	Panel
"	8282481	280019	Panel
22	685815	W10416572	Motor-Drive
23	685203	279220	Clip
24	3389441		Door Catch Assembly
25	3388235		Switch, Centrifugal
26	3404162		Clamp, Motor
27	342055	488627	Screw
28	3405514	W10362431	Hinge And Pin Assembly
29	279318		Terminal Tinned And Brass Panel
30	685011		Pulley, 60 Hz
31	3400500		Bolt, 3405245 5/16-18 X 3/4
32	348780		Base, Motor
33	3403431		Strike, Panel
34	W10131364	341241	Belt
35	3402341		Door, Inner
36	3402335		Door, Front
"	3402337		Door, Front
37	3405184		Handle, Door
"	3405189		Handle, Door
38	3406129		Seal And Bearing Assembly
39	691366		Idler And Pulley Assembly
40	690046	Not Available	SCREW, SET 1/4 - 28 X 3/8
41	3397659		Block, Terminal
42	279393		Terminal Block Screw Kit
43	8066217		Hinge, Top

