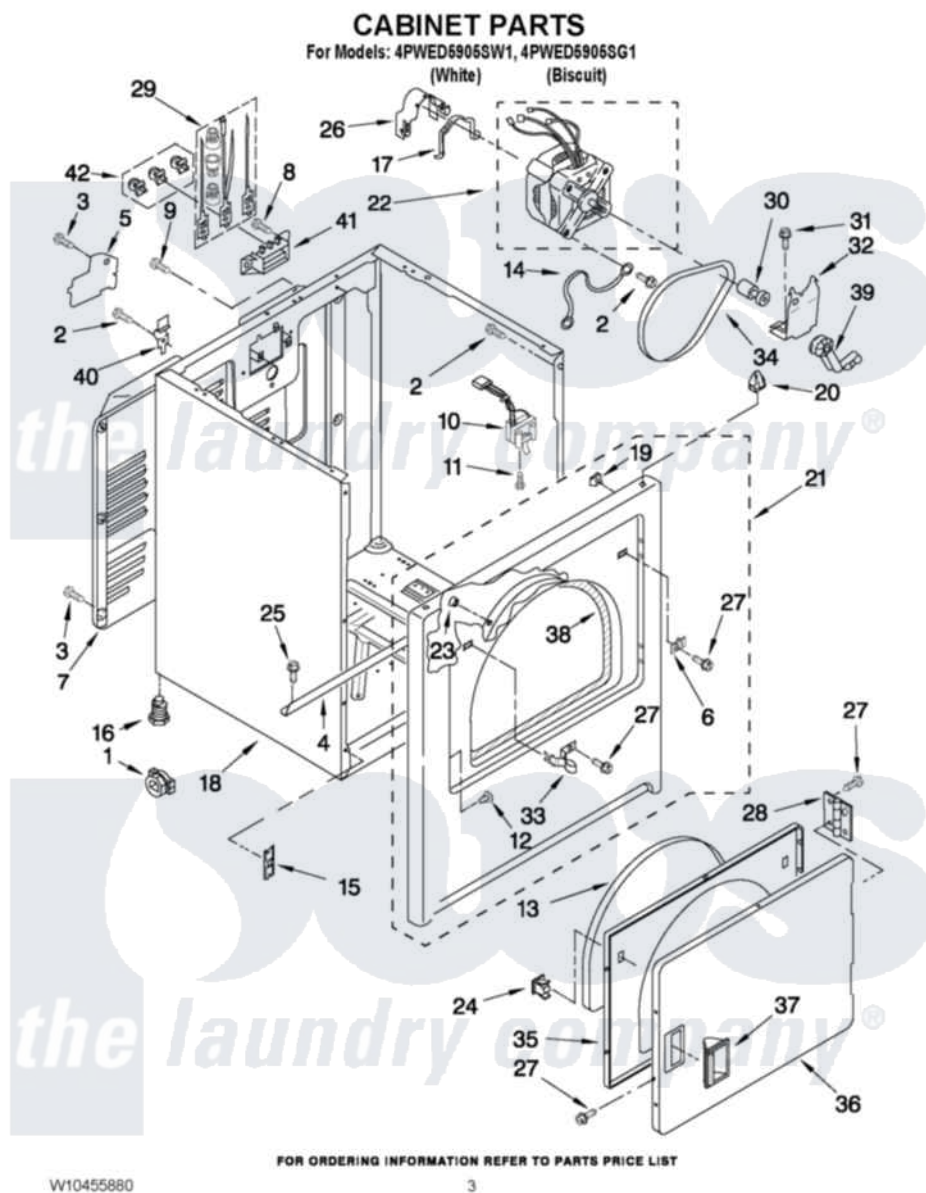


Whirlpool 4PWED5905SW1 02 - CABINET PARTS



Whirlpool [Residential Whirlpool 4PWED5905SW1 Dryer Parts](#) Parts Diagram 02 - CABINET PARTS
Click on the part number to view part

Item	Original Part Number	Replaced By	Status	Part Description
1	8316644			Power Cord, Strain Relief
2	343641	681414		Screw, 10AB X 1/2
3	693995			Screw, Hex Head
4	W10236073			Bracket, Cabinet
5	3396795			Cover, Terminal Block
6	3403630			Plug, Strike Hole
"	3403632			Plug, Strike Hole
7	3396805	280043		Panel-Rear
8	3393008	308685		Side Trim)
9	697776	4331106		Screw, No.10-32 X 7/16
10	3406109	3406107		Door Switch Assembly
11	697773	3395530		Screw
12	3404413			Plug, Hinge Hole
"	3404415			Plug, Hinge Hole
13	3405246			Seal, Door Push-To-Start
14	690236			Wire, Ground

15	3394083		Clip, Front Panel
16	3392100	49621	Feet-Leveling
17	W10121316		Plug, Multivent
18	8530603	8533643	Cabinet
"	8530606	3977306	Cabinet
19	98234		Clip, U-Bend
20	690363	18776	Lock, Front Top
21	W10224853		Front Panel Assembly
"	8282481	280019	Panel
22	W10289660	W10416572	Motor-Drive
23	685203	279220	Clip
24	3389441		Door Catch Assembly
25	3390631		Screw, 10-16 X 3/8
26	3404162		Clamp, Motor
27	342055	488627	Screw
28	W10362431		Hinge And Pin Assembly
29	279318		Terminal Tinned And Brass Panel
30	685011		Pulley, 60 Hz
31	3400500		Bolt, 3405245 5/16-18 X 3/4
32	348780		Base, Motor
33	3403431		Strike, Panel
34	W10131364	341241	Belt
35	3402341		Door, Inner
36	3402335		Door, Front
"	3402337		Door, Front
37	3405184		Handle, Door
"	3405189		Handle, Door
38	3406129		Seal And Bearing Assembly
39	691366		Idler And Pulley Assembly
40	8066217		Hinge, Top
41	3397659		Block, Terminal
42	279393		Terminal Block Screw Kit

