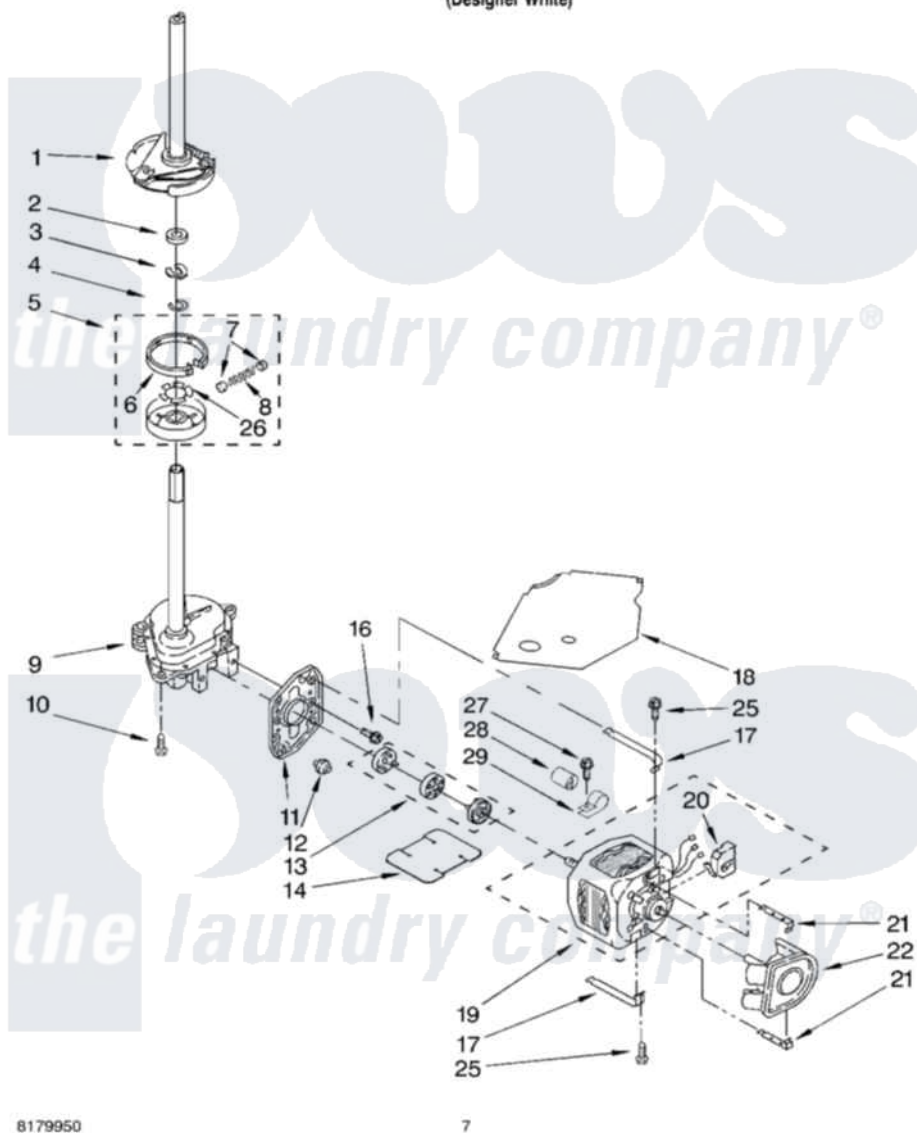


Whirlpool 6ALBR6245JQ2 04 - BRAKE, CLUTCH, GEARCASE, MOTOR AND PUMP PARTS

BRAKE, CLUTCH, GEARCASE, MOTOR AND PUMP PARTS

For Model: 6ALBR6245JQ2
(Designer White)



8179950

7

Whirlpool [Residential Whirlpool 6ALBR6245JQ2 Washer Parts](#) Parts Diagram 04 - BRAKE, CLUTCH, GEARCASE, MOTOR AND PUMP PARTS
Click on the part number to view part

| Item | Original Part Number | Replaced By | Status | Part Description |
|------|-------------------------|---------------------------|--------|--------------------------------|
| 1 | 388951 | 285792 | | Basketdrive |
| 2 | 63292 | | | Washer, Spin Tube Thrust |
| 3 | 62697 | W10080230 | | Ring, Spin Tube Support |
| 4 | 63283 | 285353 | | Ring |
| 5 | 3951311 | 285785 | | Clutch |
| 6 | 3951308 | 285790 | | Lining |
| 7 | 62646 | | | Cap, Clutch Spring |
| 8 | 3946792 | | | Spring And Damper Assembly |
| 9 | 3949118 | 3363395 | | Gearcase |
| 10 | 3357334 | 3400516 | | Screw Anti-Rattle |
| 11 | 62611 | | | Plate, Motor Mount To Gearcase |
| 12 | 62691 | | | Grommet, Motor |
| 13 | 285852 | 285852A | | Coupling |
| 14 | 8316060 | | | Shield, Tub To Motor |

| | | | |
|----|-------------------------|---------------------------|--------------------------|
| 16 | 3400516 | | Screw Anti-Rattle |
| 17 | 3349637 | W10086010 | Retainer, Motor |
| 18 | 3362089 | | Shield, Tub To Motor |
| 19 | 3363190 | | Motor, Main Drive |
| 20 | 8529896 | | Switch, Main Drive Motor |
| 21 | 62700 | 8546127 | Retainer, Pump |
| 22 | 3363892 | | Pump, Complete |
| 25 | 3387485 | 273556 | Screw, 10-16 X 5/8 |
| 26 | 3355454 | | Clip, Main Drive |
| 27 | 62863 | 3390631 | Screw, 10-16 X 3/8 |
| 28 | 3948448 | 482156 | Capacitor |
| 29 | 3949496 | | Clamp, Capacitor |

the laundry company[®]

the laundry company[®]

the laundry company[®]