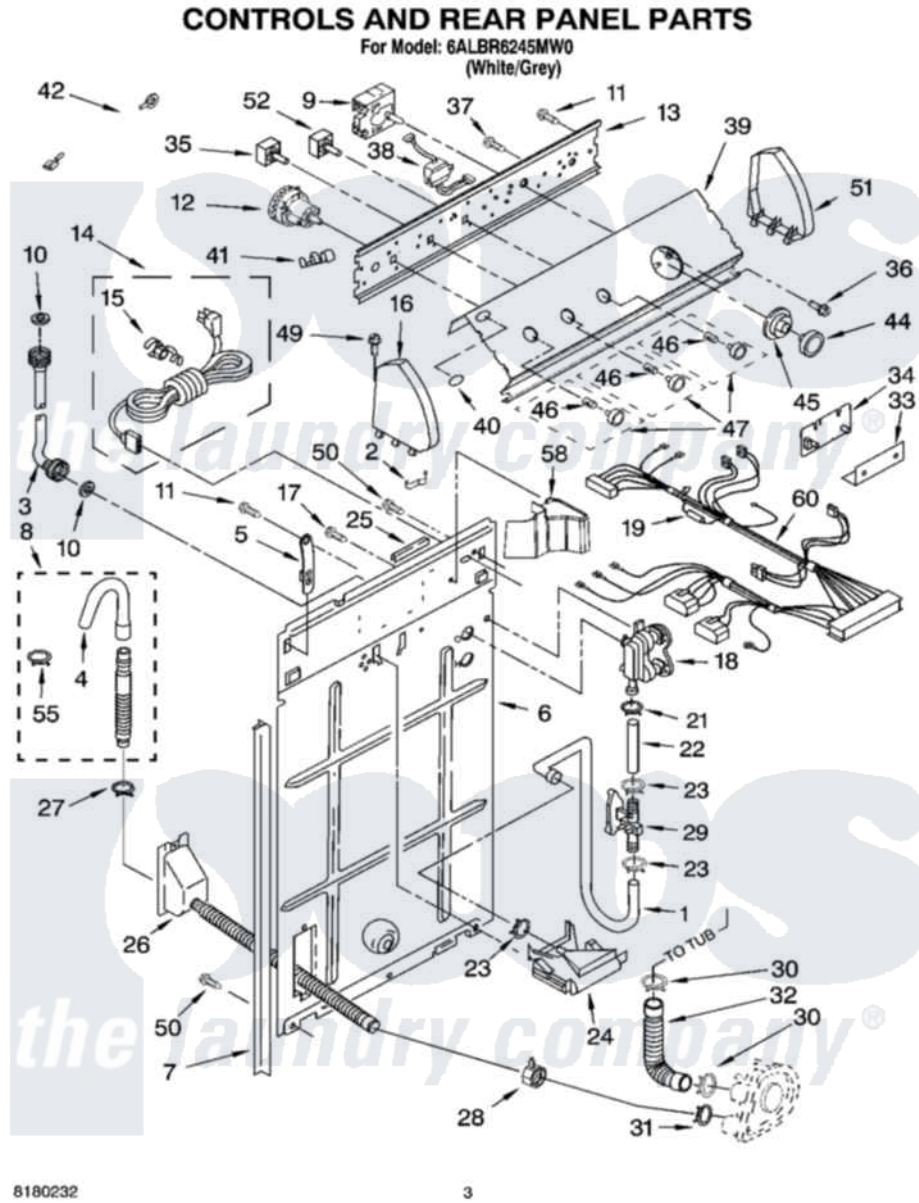


# Whirlpool 6ALBR6245MW0 02 - CONTROLS AND REAR PANEL PARTS



Whirlpool [Residential Whirlpool 6ALBR6245MW0 Washer Parts](#) Parts Diagram 02 - CONTROLS AND REAR PANEL PARTS

Click on the part number to view part

| Item | Original Part Number    | Replaced By               | Status | Part Description                        |
|------|-------------------------|---------------------------|--------|---|
| 1    | <a href="#">3363509</a> |                           |        | Hose, Sensor                            |
| 2    | 3347812                 | <a href="#">8528351</a>   |        | Clip                                    |
| 3    | <a href="#">3366916</a> |                           |        | Hose, Water Inlet                       |
| 4    | <a href="#">3357027</a> |                           |        | Nozzle, Hose Drain                      |
| 5    | 8318255                 | <a href="#">8568314</a>   |        | Strap, Console                          |
| 6    | <a href="#">8318407</a> |                           |        | Panel, Rear                             |
| 7    | <a href="#">62747</a>   |                           |        | Pad, Rear Panel                         |
| 8    | 3951609                 | <a href="#">285664</a>    |        | Hose                                    |
| "    | 661577                  | <a href="#">285666</a>    |        | Hose                                    |
| "    | 3357090                 | <a href="#">285702</a>    |        | Hose                                    |
| 9    | <a href="#">3954170</a> |                           |        | Timer, Control                          |
| 10   | <a href="#">3357450</a> |                           |        | Washer, Water Inlet Hose                |
| 11   | <a href="#">90767</a>   |                           |        | Screw, 8A X 3/8 HeX Washer Head Tapping |
| 12   | 3366846                 | <a href="#">W10335056</a> |        | Switch-WL                               |
| 13   | <a href="#">3948814</a> |                           |        | Bracket, Control                        |

|    |                         |                           |                                |
|----|-------------------------|---------------------------|--------------------------------|
| 14 | <a href="#">8541728</a> |                           | Cord, Power                    |
| 15 | 3949468                 | <a href="#">285777</a>    | Relief-Str                     |
| 16 | 8271369                 | <a href="#">279962</a>    | Endcap                         |
| 17 | <a href="#">3351614</a> |                           | Screw, Gearcase Cover Mounting |
| 18 | <a href="#">3360397</a> |                           | Valve, Water Mixing            |
| 19 | <a href="#">3951198</a> |                           | Fuse                           |
| 21 | 370451                  | <a href="#">596669</a>    | Clamp, Manifold                |
| 22 | <a href="#">3363516</a> |                           | Hose, Sensor                   |
| 23 | 371503                  | <a href="#">596669</a>    | Clamp, Manifold                |
| 24 | <a href="#">3347034</a> |                           | Break, Vacuum                  |
| 25 | 303294                  | <a href="#">3367669</a>   | Protector, Edge                |
| 26 | 8317959                 | <a href="#">W10358151</a> | Drain Hose Assembly            |
| 27 | <a href="#">356138</a>  |                           | Clamp, Hose                    |
| 28 | <a href="#">3976395</a> |                           | Restraint, Hose                |
| 29 | <a href="#">3352282</a> |                           | Sensor-Etc-Inline              |
| 30 | 3363366                 | <a href="#">616099</a>    | Clamp                          |
| 31 | 8317496                 | <a href="#">285655</a>    | Clamp, Hose                    |
| 32 | 3951449                 | <a href="#">285871</a>    | Hose                           |
| 33 | <a href="#">8316039</a> |                           | Shield, Atc                    |
| 34 | 3407159                 | <a href="#">W10110247</a> | Control, Atc-lec               |
| 35 | 3949187                 | <a href="#">W10168262</a> | Switch, Rotary                 |
| 36 | <a href="#">3400818</a> |                           | Screw, Timer Mounting          |
| 37 | <a href="#">3179795</a> |                           | Screw, Ground                  |
| 38 | <a href="#">3407160</a> |                           | Transformer                    |
| 39 | <a href="#">8539600</a> |                           | Panel, Console                 |
| 40 | 3955775                 | <a href="#">8303811</a>   | Badge, Assembly                |
| 41 | 357572                  | <a href="#">W10113937</a> | Clip, Grounding                |
| 42 | 3398893                 | <a href="#">3395559</a>   | Wire                           |
| 44 | <a href="#">8538949</a> |                           | Knob, Timer                    |
| 45 | <a href="#">8538955</a> |                           | Dial, Timer                    |
| 46 | <a href="#">8536939</a> |                           | Clip, Knob                     |
| 47 | <a href="#">8538957</a> |                           | Knob, Control                  |
| 49 | <a href="#">388326</a>  |                           | Screw, 8-18 X 1.25             |
| 50 | 62863                   | <a href="#">3390631</a>   | Screw, 10-16 X 3/8             |
| 51 | 8271363                 | <a href="#">279962</a>    | Endcap                         |
| 52 | <a href="#">3950353</a> |                           | Switch, Rotary                 |
| 55 | 3366913                 | <a href="#">3357331</a>   | Clamp, Drain                   |
| 58 | <a href="#">8314879</a> |                           | Shield, Inlet Valve            |
| 60 | <a href="#">3956712</a> |                           | Harness, Wiring                |