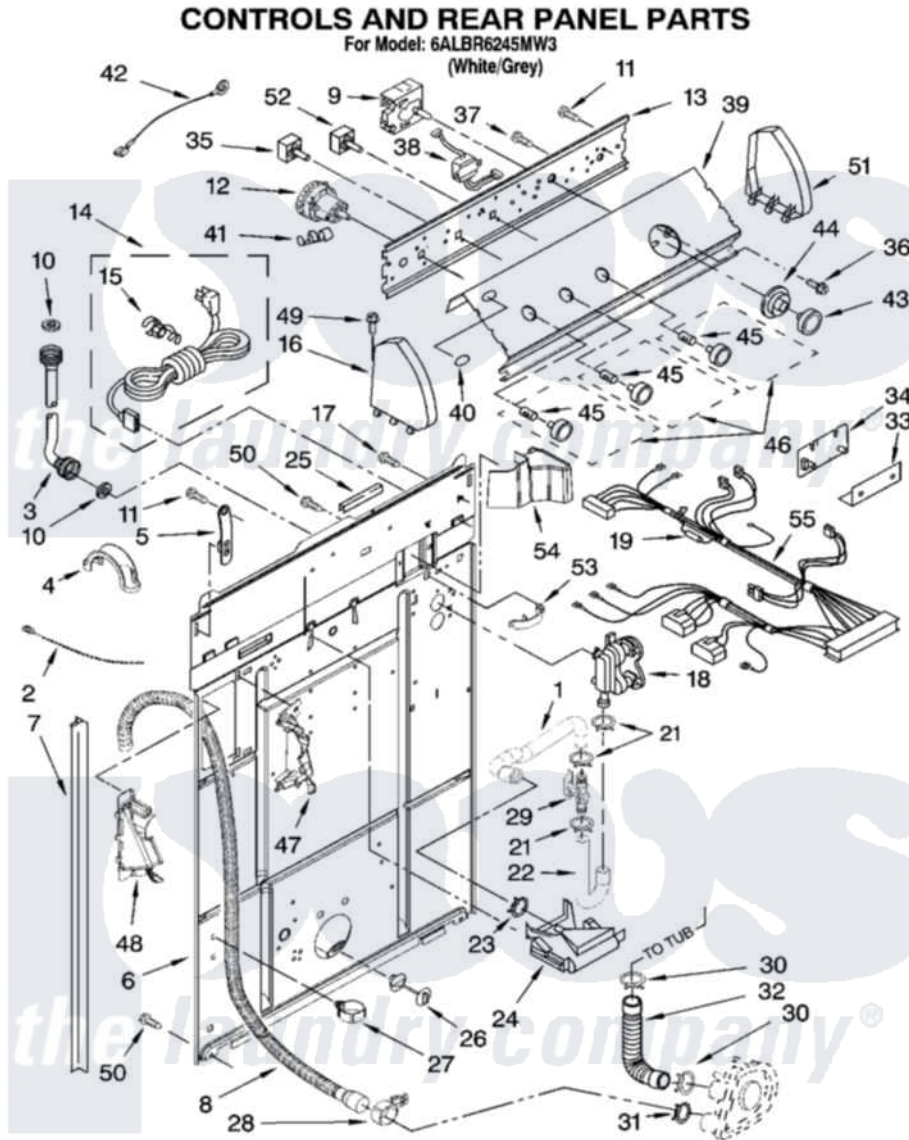


Whirlpool 6ALBR6245MW3 02 - CONTROLS AND REAR PANEL PARTS



8180798

3

Whirlpool [Residential Whirlpool 6ALBR6245MW3 Washer Parts](#) Parts Diagram 02 - CONTROLS AND REAR PANEL PARTS

[Click on the part number to view part](#)

| Item | Original Part Number | Replaced By | Status | Part Description |
|------|-------------------------|---------------------------|--------|----------------------------------------------------------------------|
| 1 | 3363516 | | | Hose, Sensor |
| 2 | 3347868 | W10339879 | | Tie, Cable |
| 3 | 3366916 | | | Hose, Water Inlet |
| 4 | 8577378 | | | U-Bend, Drain Hose |
| 5 | 8568314 | | | Strap, Console |
| 6 | 8541686 | | | Panel, Rear |
| 7 | 62747 | | | Pad, Rear Panel |
| 8 | 8559374 | W10096921 | | Drain Hose Assembly |
| 9 | 3954170 | | | Timer, Control |
| 10 | 3976300 | 16123 | | Washer Inlet-Hose Miscellaneous Parts Must be Ordered Separately. |
| 11 | 90767 | | | Screw, 8A X 3/8 HeX Washer Head Tapping |
| 12 | 3366846 | W10335056 | | Switch-WL |
| 13 | 3948814 | | | Bracket, Control |
| 14 | 8559417 | W10121455 | | Cord, Power |

| | | | |
|----|-------------------------|---------------------------|--------------------------------|
| 15 | 8559337 | 285777 | Relief-Str |
| 16 | 8271369 | 279962 | Endcap |
| 17 | 3351614 | | Screw, Gearcase Cover Mounting |
| 18 | 3360397 | | Valve, Water Mixing |
| 19 | 3951198 | | Fuse |
| 21 | 370451 | 596669 | Clamp, Manifold |
| 22 | 3363509 | | Hose, Sensor |
| 23 | 371503 | 596669 | Clamp, Manifold |
| 24 | 3347034 | | Break, Vacuum |
| 25 | 303294 | 3367669 | Protector, Edge |
| 26 | 8519200 | | Support, Rear Panel |
| 27 | 8541667 | | Clamp, Hose |
| 28 | 8541668 | | Clamp, Hose |
| 29 | 3352282 | | Sensor-Etc-Inline |
| 30 | 3363366 | 616099 | Clamp |
| 31 | 8317496 | 285655 | Clamp, Hose |
| 32 | 3951449 | 285871 | Hose |
| 33 | 8316039 | | Shield, Atc |
| 34 | 3407159 | W10110247 | Control, Atc-lec |
| 35 | 3949187 | W10168262 | Switch, Rotary |
| 36 | 3400818 | | Screw, Timer Mounting |
| 37 | 3400073 | | Screw, Ground |
| 38 | 3407160 | | Transformer |
| 39 | 8546338 | | Panel, Console |
| 40 | 3955775 | 8303811 | Badge, Assembly |
| 41 | 357572 | W10113937 | Clip, Grounding |
| 42 | 3398893 | 3395559 | Wire |
| 43 | 8538949 | | Knob, Timer |
| 44 | 8538955 | | Dial, Timer |
| 45 | 8536939 | | Clip, Knob |
| 46 | 8538957 | | Knob, Control |
| 47 | 8541669 | | Bucket, Drain Hose |
| 48 | 8541658 | | Bucket, Drain Hose |
| 49 | 388326 | | Screw, 8-18 X 1.25 |
| 50 | 62863 | 3390631 | Screw, 10-16 X 3/8 |
| 51 | 8271363 | 279962 | Endcap |
| 52 | 3950353 | | Switch, Rotary |
| 53 | 3349557 | | Retainer, Harness |
| 54 | 8314879 | | Shield, Inlet Valve |
| 55 | 3956712 | | Harness, Wiring |

the laundry company[®]