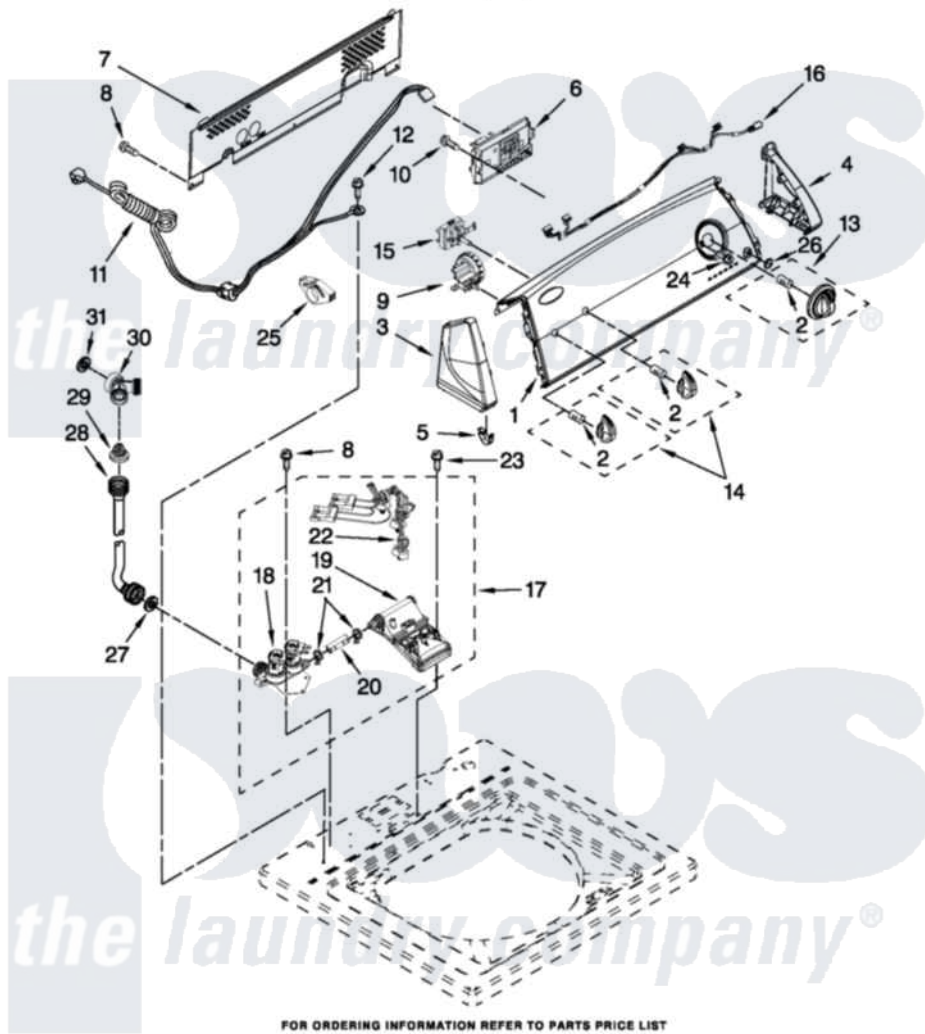


Whirlpool 7EWTW1300YM0 02 - CONTROLS AND WATER INLET PARTS

CONTROLS AND WATER INLET PARTS

For Model: 7EWTW1300YM0
(White)



W10440259

FOR ORDERING INFORMATION REFER TO PARTS PRICE LIST

3

Whirlpool [Residential Whirlpool 7EWTW1300YM0 Washer Parts](#) Parts Diagram 02 - CONTROLS AND WATER INLET PARTS

[Click on the part number to view part](#)

| Item | Original Part Number | Replaced By | Status | Part Description |
|------|---------------------------|---------------------------|--------|--|
| 1 | W10410364 | | | Panel, Console |
| 2 | 8536939 | | | Clip, Knob |
| 3 | 8566035 | 8565957 | | Cap, End |
| 4 | 8566032 | 8565954 | | Cap, End |
| 5 | 8312709 | | | Clip-Console |
| 6 | W10445272 | | | Control Unit Assembly, Machine And Motor |
| 7 | W10251310 | W10420985 | | Panel, Console Rear Cover |
| 8 | 1157158 | 489069 | | Xxscrew, 10-12 X 1/2 |
| 9 | W10268910 | | | Switch, Water Level |
| 10 | 90767 | | | Screw, 8A X 3/8 HeX Washer Head Tapping |
| 11 | W10276649 | | | Cord, Power |
| 12 | 3400076 | | | Screw, Bracket Mounting |
| 13 | W10034750 | | | Timer Knob Assembly |
| 14 | W10034380 | | | Knob, Control |

| | | | |
|----|---------------------------|---------------------------|--|
| 15 | W10285511 | | Switch, Rotary Encoder |
| 16 | W10291178 | | Harness, Upper |
| 17 | W10357189 | | Inlet Assembly, Water |
| 18 | W10352256 | | Valve, Water Mixing |
| 19 | W10334611 | W10441423 | Vacuum Break |
| 20 | W10238347 | | Hose, Vacuum Break |
| 21 | W10117298 | 596669 | Clamp, Manifold |
| 22 | W10344775 | | Harness, Valve |
| 23 | 8281163 | | Screw, Dispenser Housing Mounting |
| 24 | 3400818 | | Screw, Timer Mounting |
| 25 | W10348582 | | Cable Tie |
| 26 | W10251309 | | Pushbutton, Start |
| 27 | W10242307 | 16123 | Washer Inlet-Hose Miscellaneous Parts Must be Ordered Separately. |
| 28 | W10194210 | 89503 | Hose-Inlet |
| " | W10196191 | 89503 | Hose-Inlet |
| 29 | 353362 | 285452 | Hose Screen |
| 30 | W10269488 | | Connector- Hose, Y |
| 31 | 3357450 | | Washer, Water Inlet Hose |

