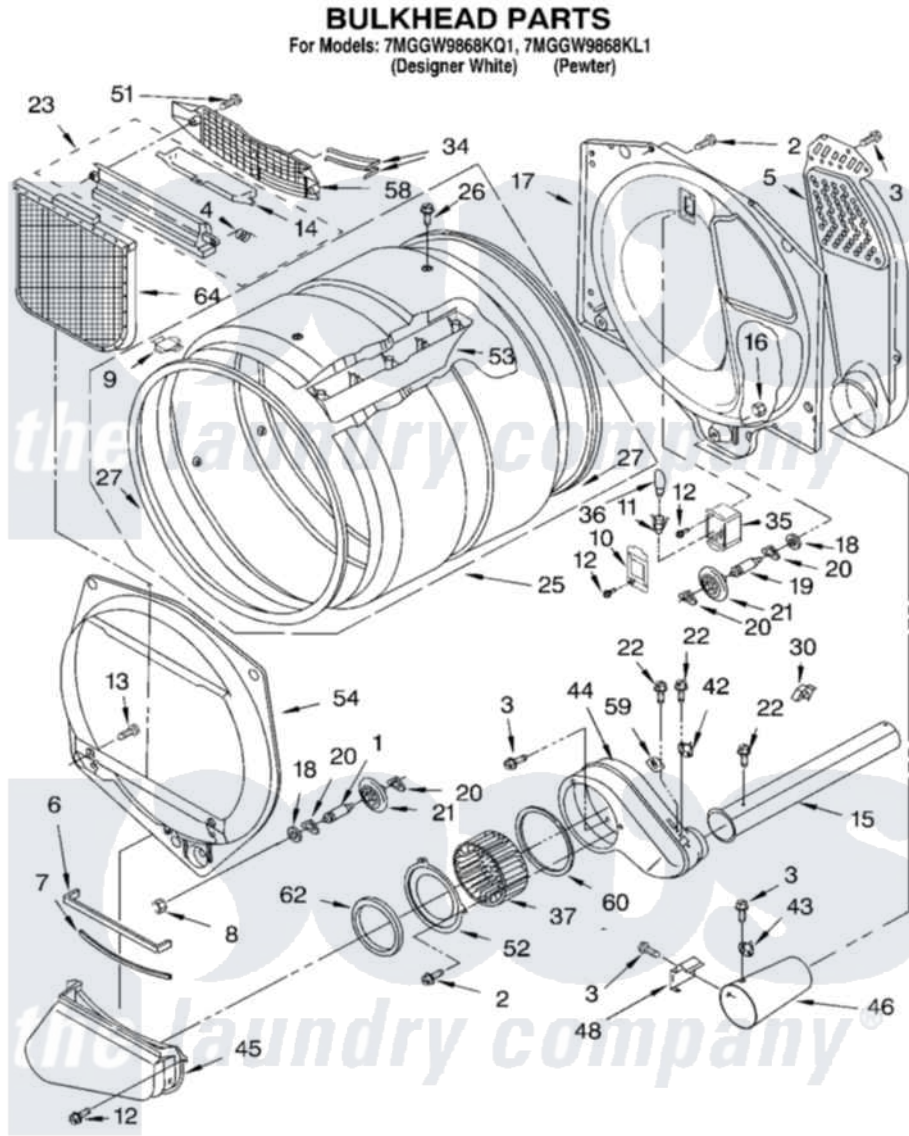


Whirlpool 7MGGW9868KL1 03 - BULKHEAD PARTS



8180046

5

Whirlpool [Residential Whirlpool 7MGGW9868KL1 Dryer Parts](#) Parts Diagram 03 - BULKHEAD PARTS
 Click on the part number to view part

Item	Original Part Number	Replaced By	Status	Part Description
1	3399508	W10359271		Shaft, Drum Roller Threads
2	3390647	488729		Screw
3	90767			Screw, 8A X 3/8 HeX Washer Head Tapping
4	3394986			Spring, Lint Screen Door
5	3394346			Air Duct Assembly
6	697813			Seal, Outlet Housing
7	697814	697813		Seal, Outlet Housing
8	3359452			Nut, Lock
9	8066086			Plug, Drum Hole
10	3402841	8532165		Lens, Drum Light
11	3403634	W10136369		Socket, Drum Light Assembly
12	487909	488729		Screw
13	695240	488729		Screw
14	3394984	8563758		Door, Lint Screen
15	8318486	279936		Kit-Exhst
16	3387709			Nut, 3/8-16

17	8520836		Bulkhead, Rear
18	3387459	W10080960	Washer, Support
19	3399509	W10359272	Shaft, Roller Drum Threads
20	690997		Washer, Thrust
21	8536973	W10314173	Support
22	3390646	W10139210	Screw, 8-18 X 5/16
23	3394985	8563755	Housing, Outlet Assembly
25	8318215	W10197999	Drum
26	97787	W10109200	Screw, Baffle Mounting
27	697694	280114	Seal
30	3388229		Retainer, Toe Panel
34	3387223		Electrode, Sensor
35	3977373		Bracket, Drum Light
36	3406124	22002263	Lamp
37	697772		Wheel, Blower
42	3976615	8577274	Thermostat 295F
43	3403140		Thermostat, High-Limit 205F
44	8541568	W10119255	Housing, Blower
45	8530036		Lint Duct Assembly
46	8066047		Funnel, Burner
48	338906		Radiant, Sensor
51	3387230		Screw, 10-16 X 13/16
52	697771	279780	Cover
53	697693	W10113136	Baffle, Drum
54	697557		Bulkhead, Front
58	8299979		Grill, Outlet Screen Door
59	3392519		Thermal Limiter
60	697770		Seal, Cover Plate Blower Housing
62	697769	8566209	Seal, Transition Duct
64	3390721	W10120998	Screen
"	N/A	Not Available	ACCESSORY PARTS
"	4392067		Kit, Dryer Repair
"	8522199		Accessory Parts
"	72017		Paint, Touch-Up
"	4396174		Paint, Touch-Up
"	350930		Paint, Pressurized Spray B
"	4396175		Paint, Pressurized Spray
"	350938		Paint, Pressurized Spray B
"	799344		Paint, Touch-Up)

the laundry company[®]