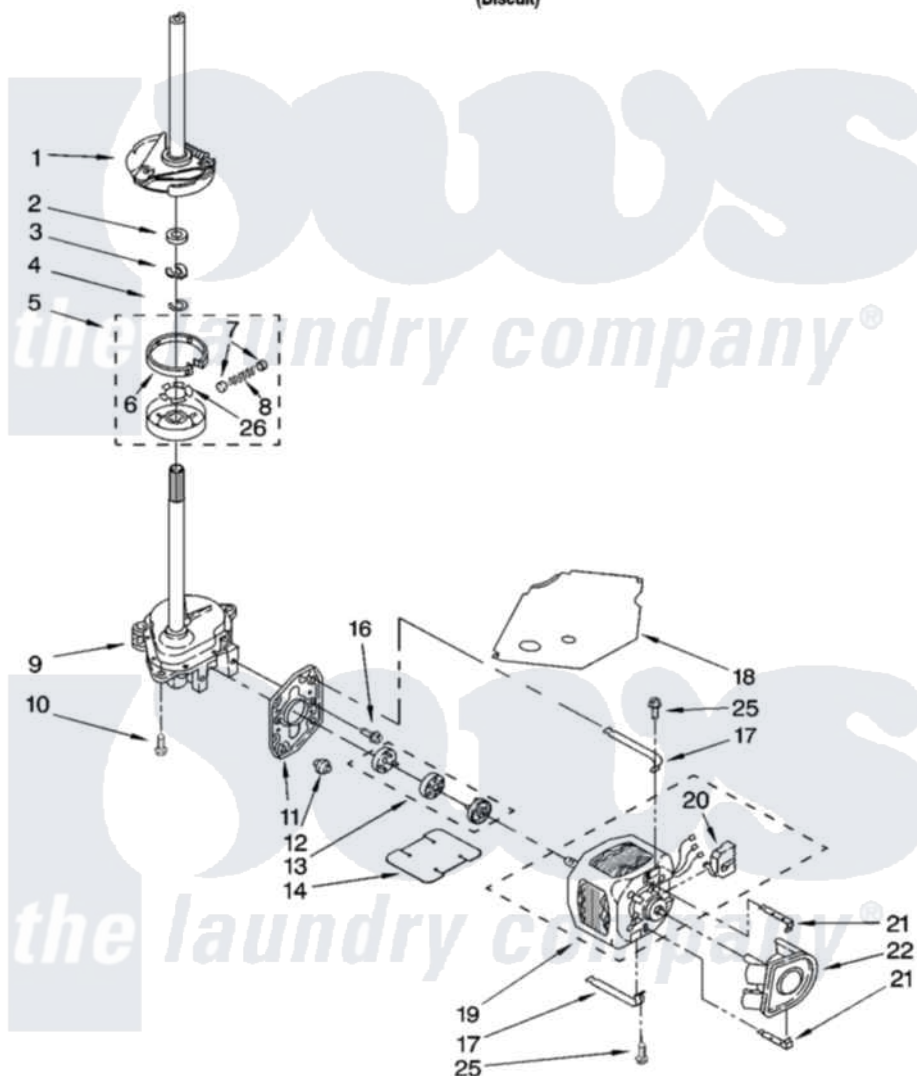


# Whirlpool 7MLBR6103MT2 04 - BRAKE, CLUTCH, GEARCASE, MOTOR AND PUMP PARTS

## BRAKE, CLUTCH, GEARCASE, MOTOR AND PUMP PARTS

For Model: 7MLBR6103MT2  
(Biscuit)



8180187

7

Whirlpool [Residential Whirlpool 7MLBR6103MT2 Washer Parts](#) Parts Diagram 04 - BRAKE, CLUTCH, GEARCASE, MOTOR AND PUMP PARTS

[Click on the part number to view part](#)

Item	Original Part Number	Replaced By	Status	Part Description
1	388951	<a href="#">285792</a>		Basketdrive
2	<a href="#">63292</a>			Washer, Spin Tube Thrust
3	62697	<a href="#">W10080230</a>		Ring, Spin Tube Support
4	63283	<a href="#">285353</a>		Ring
5	3951311	<a href="#">285785</a>		Clutch
6	3951308	<a href="#">285790</a>		Lining
7	<a href="#">62646</a>			Cap, Clutch Spring
8	<a href="#">3946792</a>			Spring And Damper Assembly
9	8532118	<a href="#">3360629</a>		Gearcase
10	3357334	<a href="#">3400516</a>		Screw Anti-Rattle
11	<a href="#">62611</a>			Plate, Motor Mount To Gearcase
12	<a href="#">62691</a>			Grommet, Motor
13	285753	<a href="#">285753A</a>		Coupling
14	<a href="#">8316060</a>			Shield, Tub To Motor

16	<a href="#">3400516</a>		Screw Anti-Rattle
17	3349637	<a href="#">W10086010</a>	Retainer, Motor
18	<a href="#">3362089</a>		Shield, Tub To Motor
19	8528158	<a href="#">661600</a>	Motor, Main Drive
20	<a href="#">3952056</a>		Switch, Main Drive Motor
21	<a href="#">8546127</a>		Retainer, Pump
22	<a href="#">3363394</a>		Pump
25	3387485	<a href="#">273556</a>	Screw, 10-16 X 5/8
26	<a href="#">3355454</a>		Clip, Main Drive

